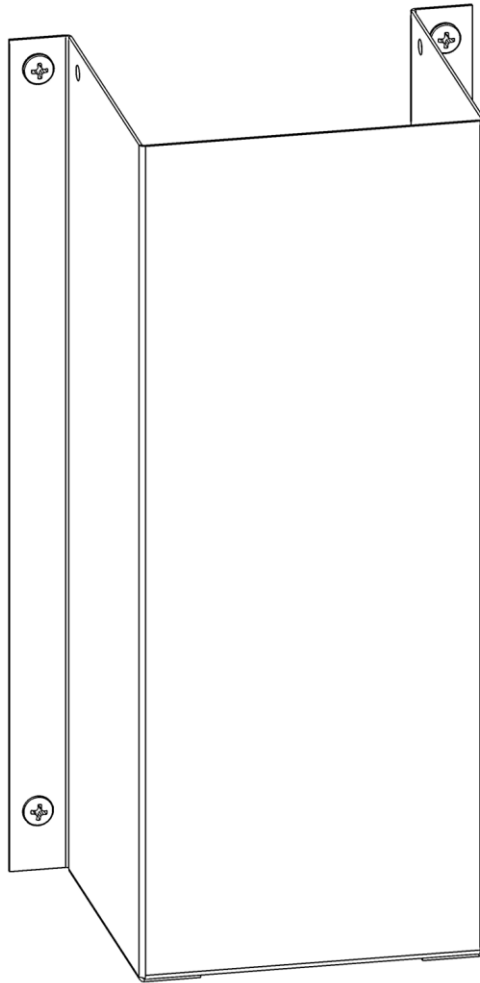


Holman

Installation Guide

40162



Holman
Rancho Cordova, CA 95742
800-343-7486
InstallationSupport@Holman.com

PLEASE READ ALL INSTRUCTIONS AND WARNINGS PRIOR TO ASSEMBLING, INSTALLING, AND USING THIS PRODUCT.

Warning



Always check for wires, fuel tanks and lines, brake lines and other important vehicle functionality items prior to drilling and installing all products.

If installing reflector kit holder to a partition, be sure screw head is on cab side.

Tools Needed

7/16" Socket and Wrench	7/16" Box Wrench
9/32" Drill Bit	Drill

Table of Contents

Before You Begin..... 1

Parts List..... 2

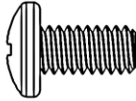

Hardware 2

Installation 3

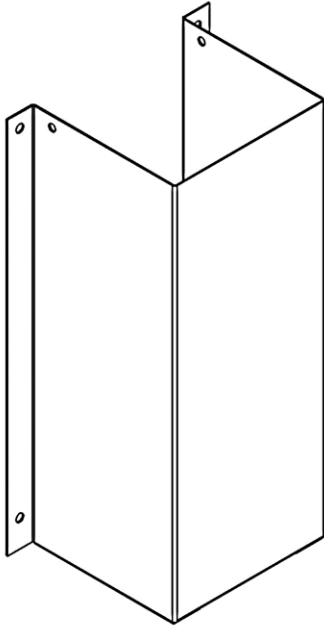
Before You Begin

- Read all instructions prior to assembling or installing any Holman product.
 - **Always locate your installation locations prior to performing any work.**
 - **ENSURE SAFETY WHILE INSTALLING OR DRILLING INTO VEHICLE.**
-

Parts List

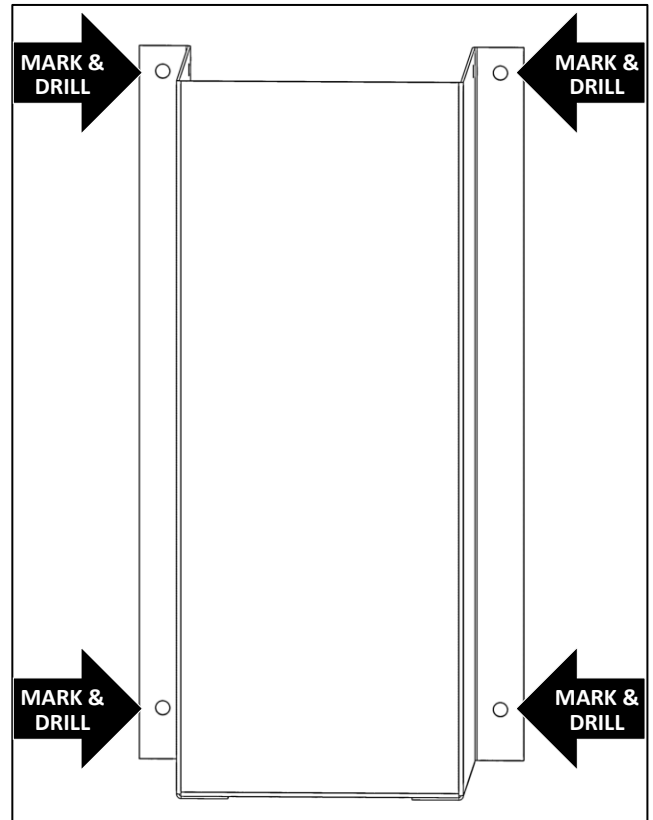
ITEM	HARDWARE TO SCALE	PART NUMBER	DESCRIPTION	QTY.
1		72586	1/4"-20 X 1/2" PHILLIPS PAN HEAD SCREW	4
2		0167030	1/4"-20 FLANGED LOCK NUT	4

Hardware

ITEM NO.	ITEM	PART NUMBER	DESCRIPTION	QTY.
1		40162-01-001	REFLECTOR HOLDER - VERTICAL	1
2		18-40160	REFLECTOR HOLDER- HARDWARE	1

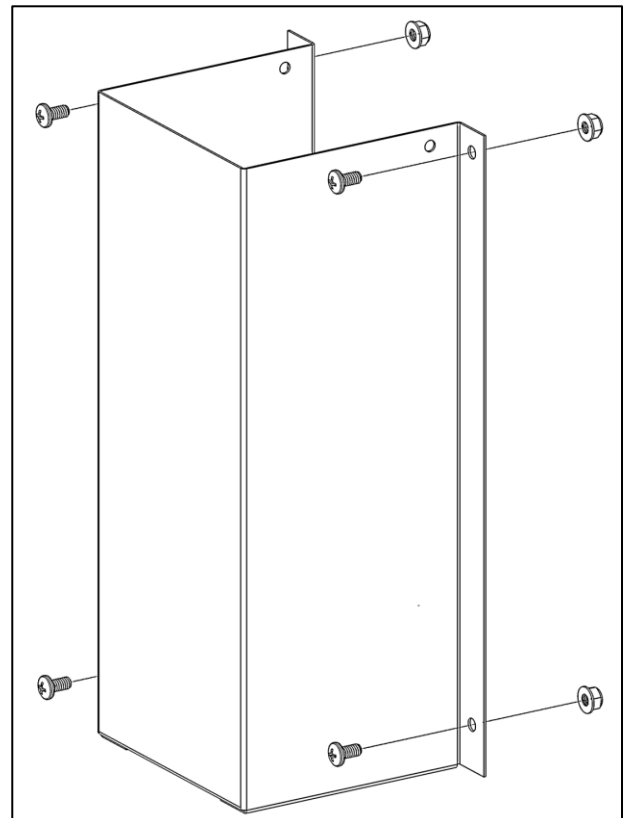
Installation

- Locate the mounting location.
- Place reflector kit holder in desired mounting location.
- Mark onto the installation surface the location of each of the four holes in the reflector kit holder.
- Set aside the reflector kit holder.
- Using a 9/32" drill bit, drill a hole at each of the locations marked.



NOTE: If installing reflector kit holder to a partition, be sure screw head is on cab side.

- Using a 1/4" x 1/2" pan head screw and 1/4" flanged lock nut, attach reflector kit holder to installation surface.
- Tighten hardware.



**GO BACK AND TIGHTEN ALL
HARDWARE.
INSTALLATION AND ASSEMBLY ARE
COMPLETE.**