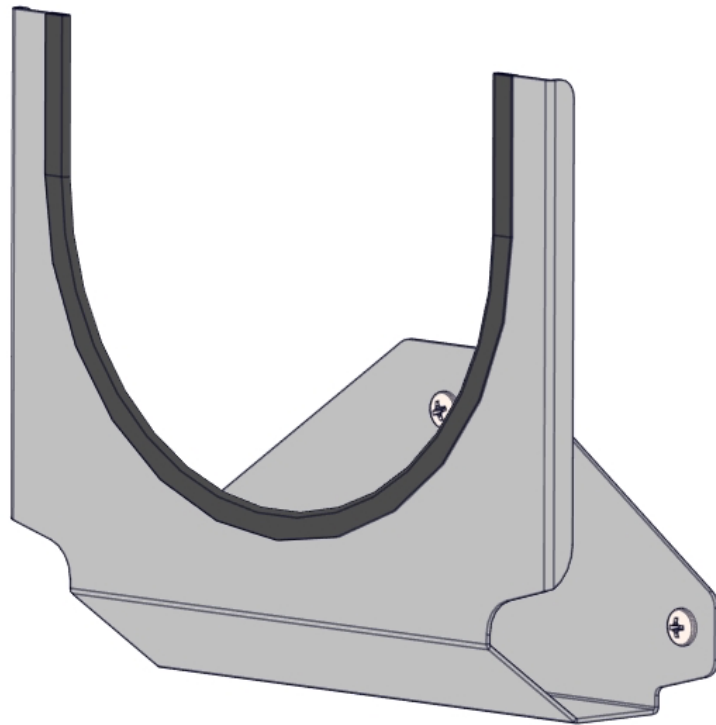

Holman

Installation Guide

40131



Holman
Rancho Cordova, CA 95742
800-343-7486
InstallationSupport@Holman.com

DATE: _____

*PLEASE READ ALL INSTRUCTIONS AND WARNINGS PRIOR TO ASSEMBLING,
INSTALLING, AND USING THIS PRODUCT*

Warning



Always check for wires, fuel tanks and lines, brake lines and other important vehicle functionality items prior to drilling and installing all products.

Tools Needed

7/16" Socket and Wrench	Phillips Driver
1/4" Drill	

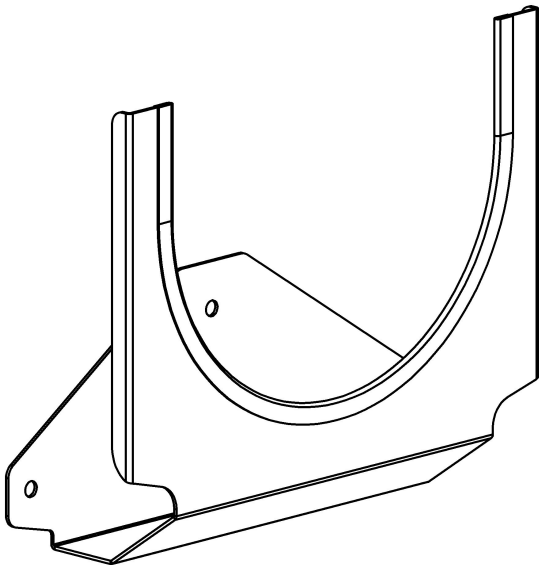
Table of Contents

Parts List	2
Assembly Hardware	2
Step 1 – Determine Mount Location	3
Step 2 – Attach Hard Hat Holder	4

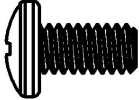

Before You Begin

- Read all instructions.
- Hard Hat Holder can be installed in a variety of locations. Choose the location that best fits your needs. These instructions show the holder being mounted on a partition.
- ENSURE LOCATION CHOSEN AND WORK AREA IS CLEAR OF ELECTRICAL AND OTHER HAZARDS PRIOR TO DRILLING.

Parts

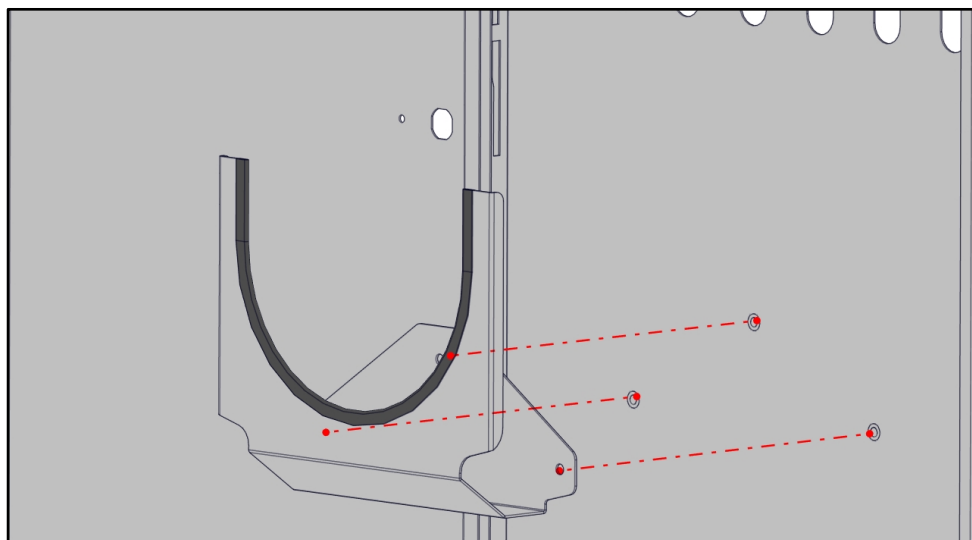
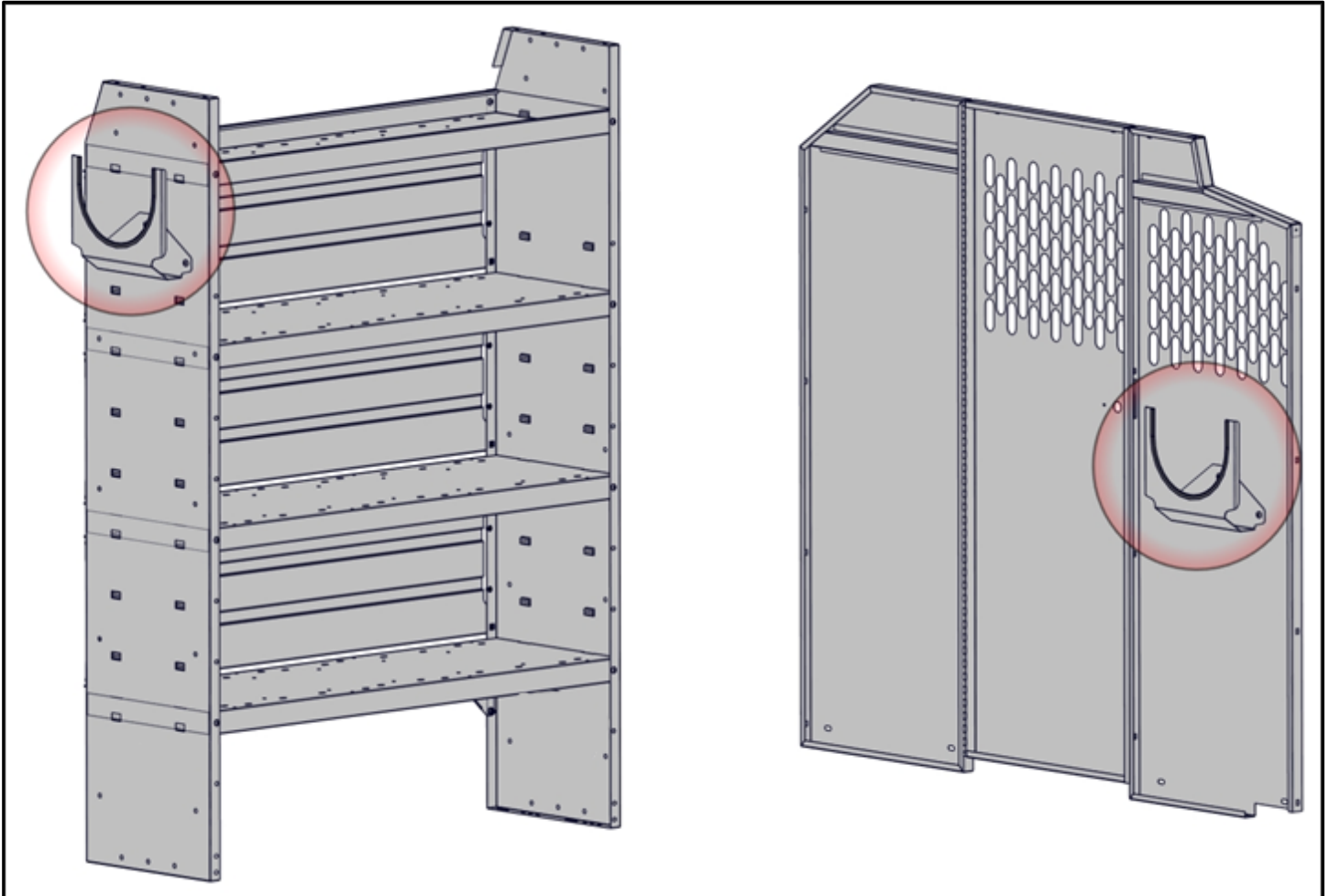
ITEM NO.		PART NUMBER	DESCRIPTION	QTY.
A		40131-10	HARD HAT HOLDER	1
		18-40131	HARDWARE	1

Hardware

ITEM NO.	TO SCALE	PART NUMBER	DESCRIPTION	QTY.
1		90272A537	SCREW, PAN HEAD, PHILLIPS 1/4-20 x 1/2	3
2		93298A110	1/4"-20 Flanged Nyloc	3

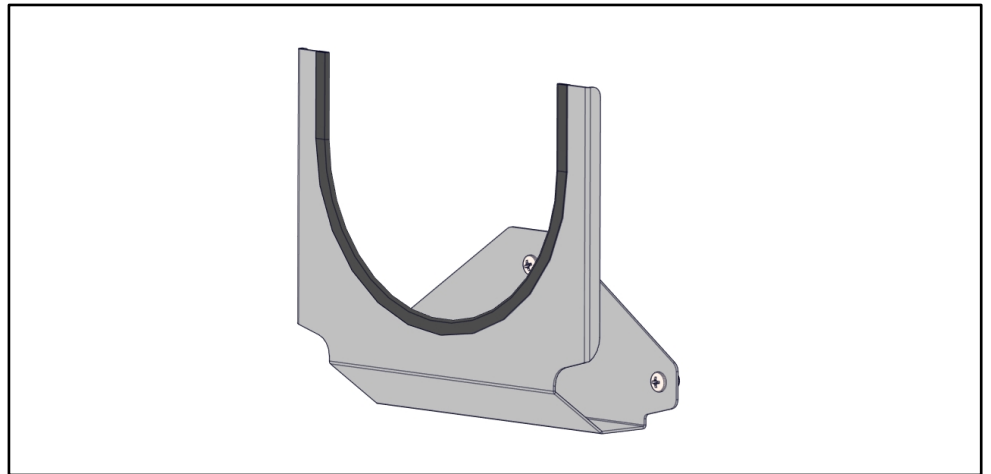
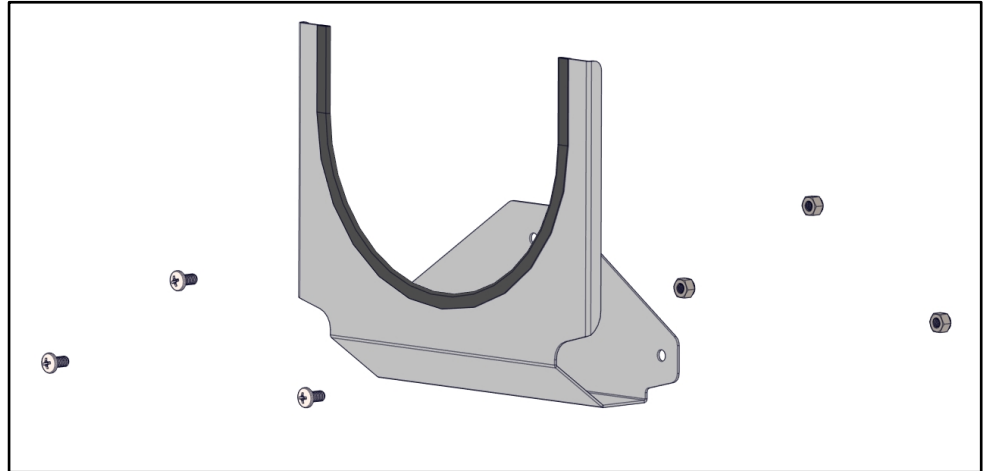
Step 1 – Determine Mount Location

- Place Hard Hat Holder in desired location.
- Once the location is chosen, level and square the Hard Hat Holder.
- Mark through the three holes of the Hard Hat Holder onto the sheet metal.
- Remove Hard Hat Holder.
- Drill marked locations using a 1/4" drill bit. ENSURE SAFETY PRIOR TO DRILLING.



Step 2 – Attach Hard Hat Holder

- Place Hard Hat Holder over previously drilled holes.
- Attach using 1/4" x 1/2" pan head screws and 1/4" flanged nyloc nuts.
- Ensure the pan head screw is orientated as shown.



Ensure all bolts are tight. Your Installation is now complete.

