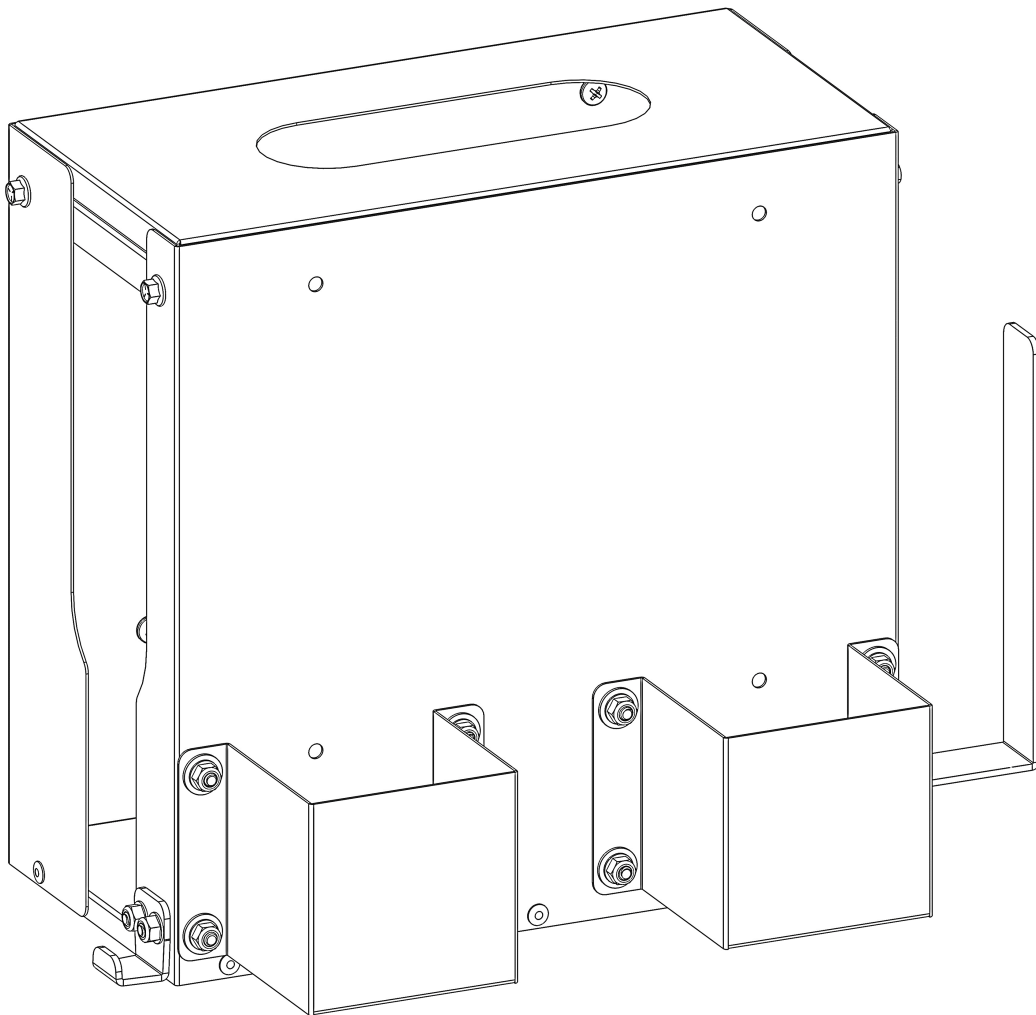


Holman

Instruction Guide 40116



Holman
Rancho Cordova, CA 95742
800-343-7486
InstallationSupport@Holman.com

PLEASE READ ALL INSTRUCTIONS AND WARNINGS PRIOR TO ASSEMBLING, INSTALLING, AND USING THIS PRODUCT.

Warning



Always check for wires, fuel tanks and lines, brake lines and other important vehicle functionality items prior to drilling and installing all products.

Tools Needed

7/16" Socket and Wrench	3/8" Socket and Wrench
Phillips Head Screw Driver	17/64", 25/64" Drill Bits
Drill	Drill Bit Stop Collar

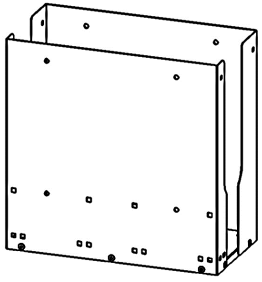



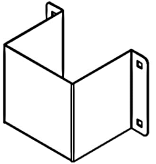

Table of Contents

Parts List	2
Hardware	3
Step 1 – Determine Installation Location	4
Step 2 – Install Bucket Hook	5
Step 3 – Install Paper Towel Holder.....	5
Step 4 – Install Soap Trays	5
Step 5 – Installation Location Preparation	6
Step 6 – Installation	6
Step 6A – Bolt-through Installation	6
Step 6B – Plus Nut Installation	7
Step 7 – Carboy.....	8
Step 8 – Install Lid Supports	8
Step 9 – Lid	9


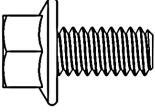
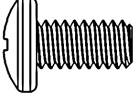
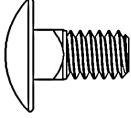
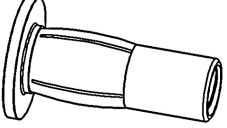
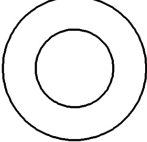
Before You Begin

- Read all instructions prior to installing any Holman product.

Parts List

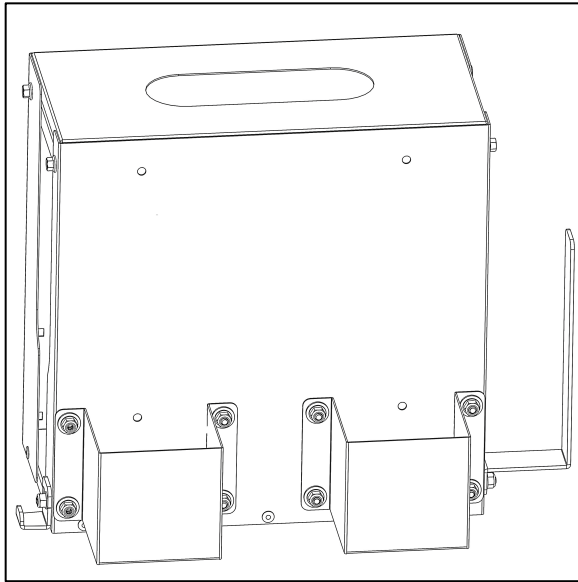
ITEM NO.	ITEM	PART NUMBER	DESCRIPTION	QTY.
1		100881	PANEL ASSEMBLY	1
2		100875	LID SUPPORT ASSEMBLY	2
3		100880	BUCKET HOOK	1
4		100868	PAPER TOWEL HOLDER	1
5		100871	SOAP TRAY	2
6		100870	LID	1
7		18-40116	40116 HARDWARE KIT	1
8		2.5-CARBOY	E-Z Fill® 2-1/2 Gallon Container	1

Hardware

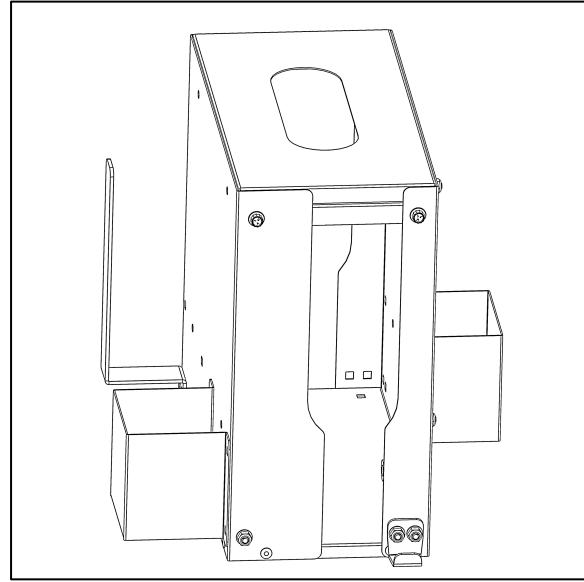
ITEM	HARDWARE TO SCALE	PART NUMBER	DESCRIPTION	QTY.
1		0167030	1/4\"-20 FLANGED LOCK NUT	16
2		11126952	1/4\"-20 X 1/2\" FLANGED HEX HEAD	4
3		72586	1/4\"-20 X 1/2\" PHILLIPS PAN HEAD SCREW	4
4		0158942	1/4\"-20 X 1/2\" CARRIAGE BOLT	12
5		920313726	1/4\"-20 PLUS NUT	4
6		0159723	3/8\" WASHER	8

Step 1 – Determine Installation Location

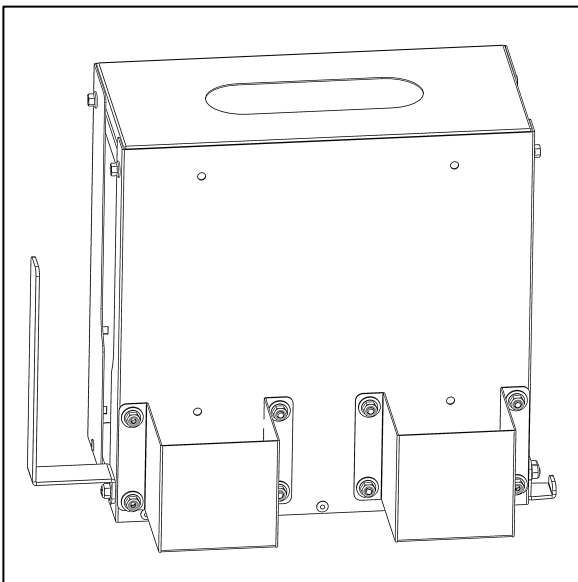
- The sanitation station can be configured into several configurations. Each configuration has different clearance requirements. Use the following configuration suggestions to help determine the desired installation location.



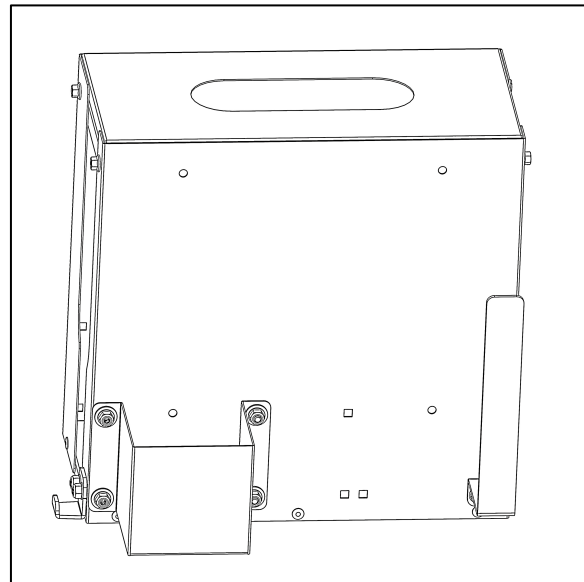
**DRIVER'S SIDE REAR DOOR AND PARTITION
INSTALLATION**



SHELF TOP INSTALLATION



**PASSENGER SIDE REAR DOOR AND PARTITION
INSTALLATION**

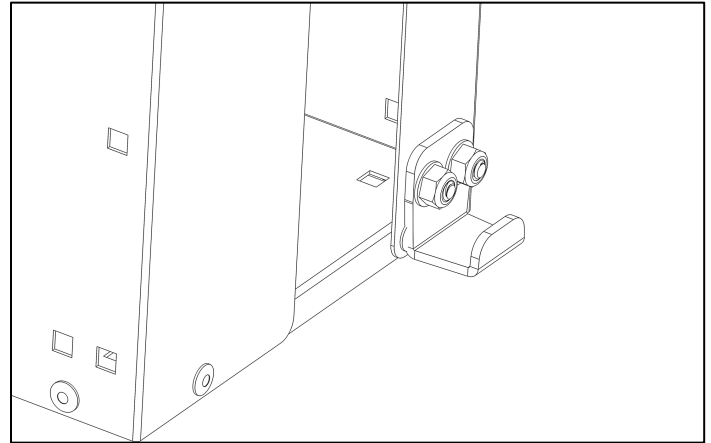
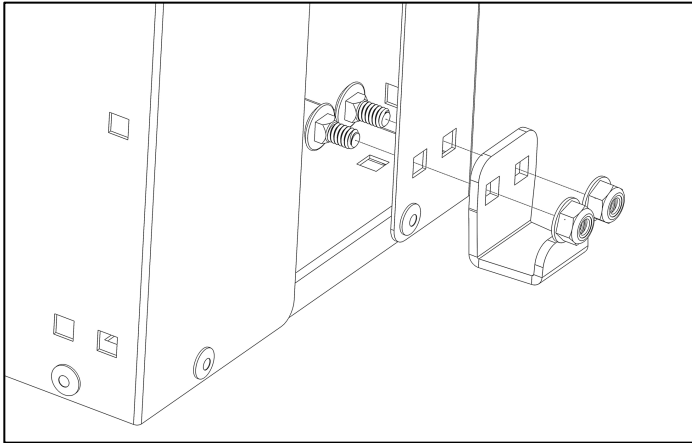


SHELF PANEL INSTALLATION

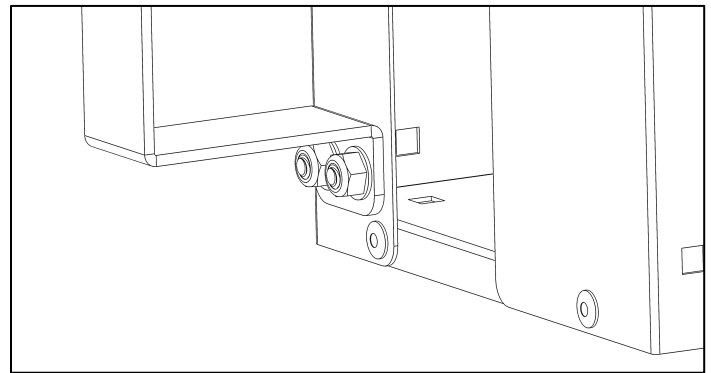
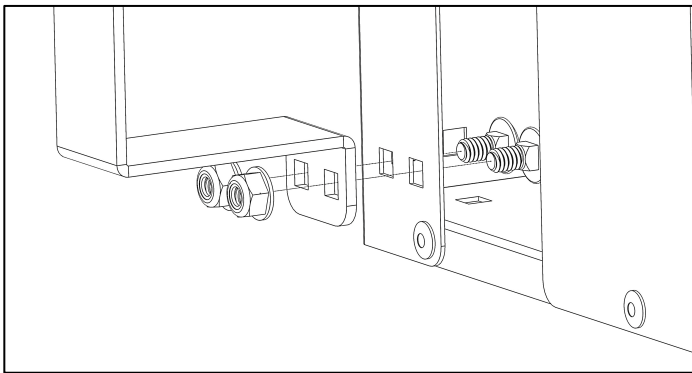
Step 2 – Install Bucket Hook

- Using two 1/4" x 1/2" carriage bolts and two 1/4" lock nuts, bolt the bucket hook to the panel assembly as shown.
- TIGHTEN nuts.

Step 3 – Install Paper Towel Holder

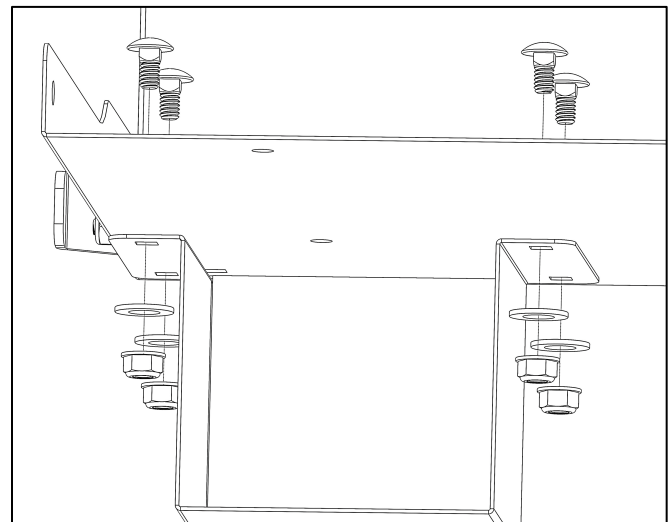


- Using two 1/4" x 1/2" carriage bolts and two 1/4" lock nuts, bolt the paper towel holder to the panel assembly as shown.
- TIGHTEN nuts.



Step 4 – Install Soap Trays

- Using four 1/4" x 1/2" carriage bolts, four 3/8" washers, and four 1/4" lock nuts, bolt the soap tray to the panel assembly as shown.
- Repeat for second soap tray if desired.
- TIGHTEN nuts.



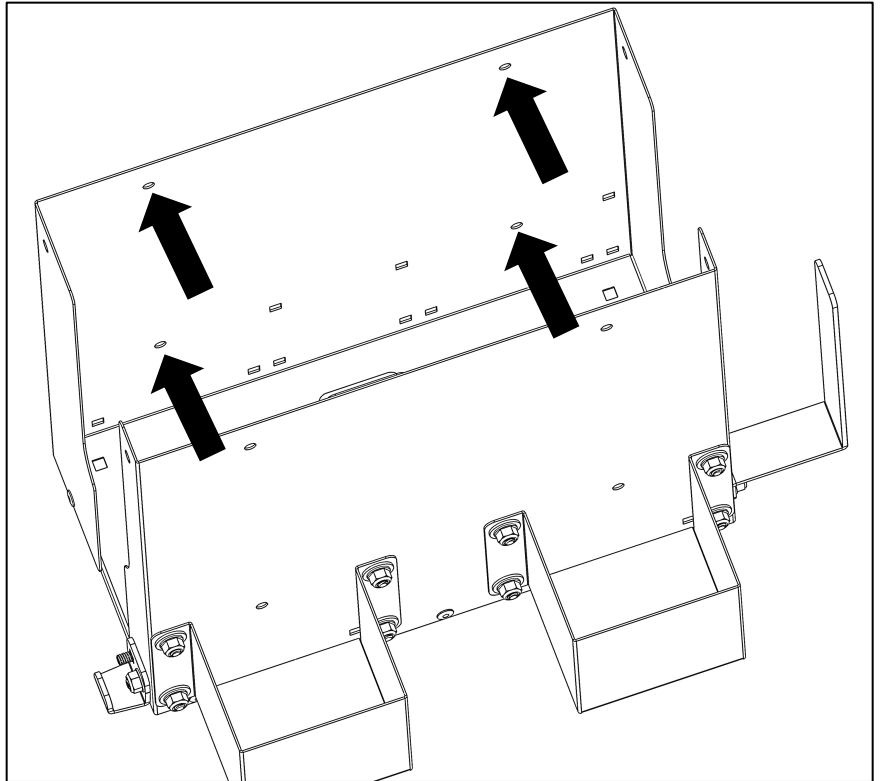
Step 5 – Installation Location Preparation

- Hold sanitation station against installation surface.
- Make sure proper clearances for paper towel roll and bucket.
- Mark each hole as indicated below.



Installing the sanitation station requires holes be drilled through the installation surface, so make sure the following clearances and warnings are met.

- Be sure there is proper clearance behind the installation surface for plus nuts to be installed.
- Be sure there is no electrical wiring, brake lines, or fuel lines or tank fill behind locations marked.

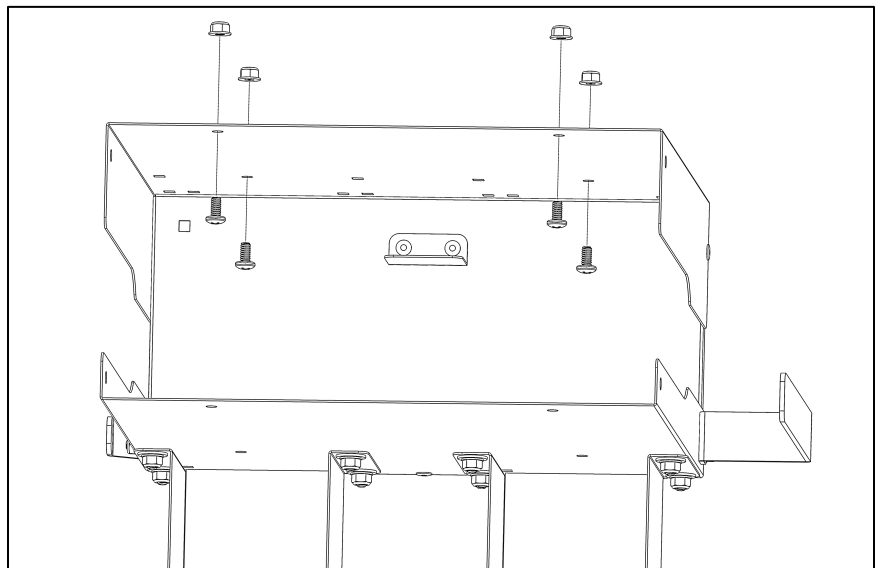


Step 6 – Installation

- If mounting to a partition or shelf and the rear of the installation surface is accessible, it is recommended to use the bolt through Step 7A Bolt-Through Installation instructions.
- If mounting to a rear door or interior wall location, it is recommended to use Step 7B Plus Nut Installation instructions.

Step 6A – Bolt-through Installation

- Using a 17/64" drill bit, drill through mounting surface at marked locations.
- Using four 1/4" x 1/2" pan head screws and four 1/4" flanged lock nuts, secure sanitation station to mounting surface.
- TIGHTEN nuts.

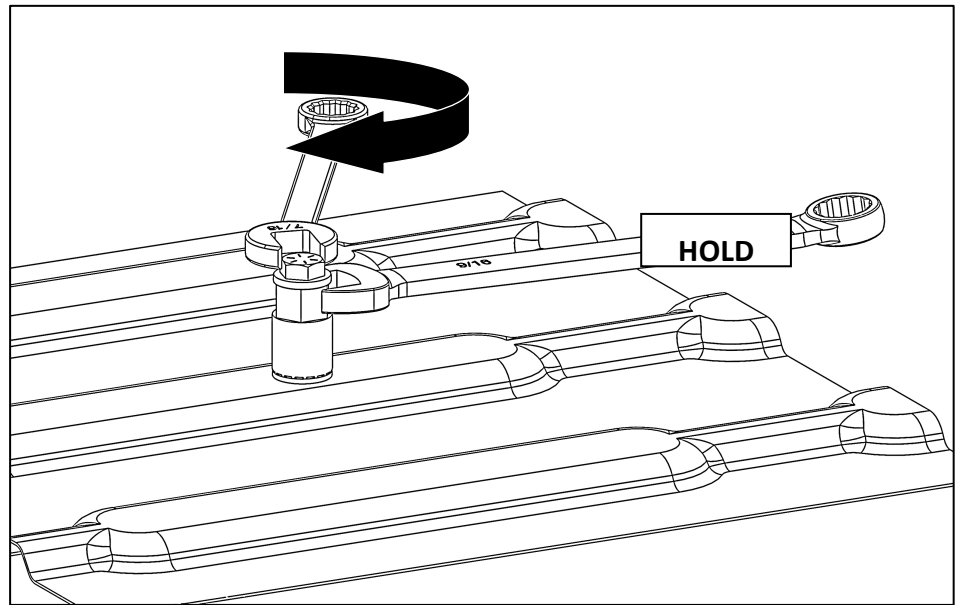
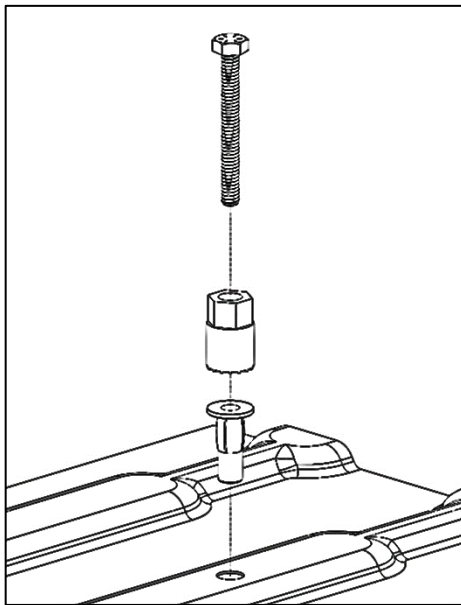


Step 6B – Plus Nut Installation

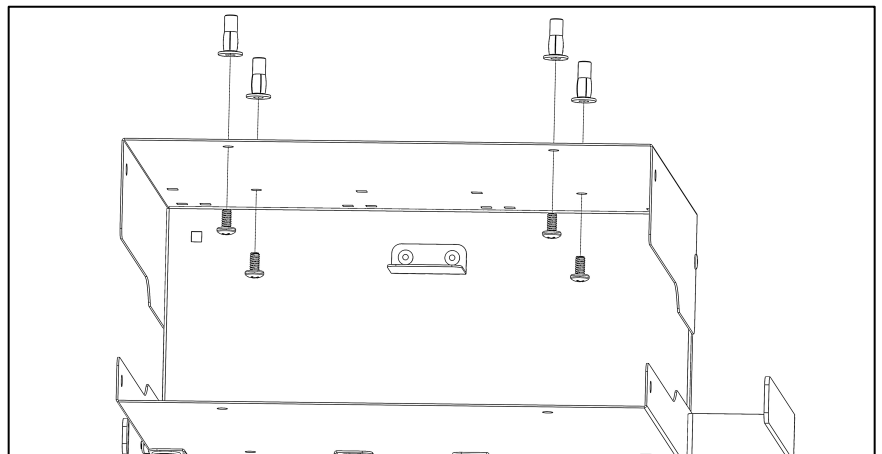


DO NOT drill beyond depth of interior wall or steel interior door. Always check that each location is clear of wires, fuel tanks and lines, brake lines and other important vehicle functionality items prior to drilling and installing any product.

- Drill hole using 25/64" drill bit and appropriate sized drill-bit stop collar. If 25/64" drill bit is not available, a 3/8" drill bit can be used, although it may be necessary to tap in the plus nuts.
- Insert a 1/4" x 2-1/4" hex head bolt through a 1/4" washer and the plus nut installation tool, then screw the bolt into plus nut. Knurled end of plus nut tool must be directed away from bolt head and contacting plus nut.
- Insert and press plus nut, with tool still attached, into hole.
- Using the 9/16" box wrench, hold the plus nut tool stationary and then tighten hex head bolt until plus nut is tightly gripping and does not spin when hex bolt is loosened.
- DO NOT overtighten plus nut.
- Using the 9/16" box wrench, hold the plus nut tool stationary to remove the 1/4" hex head bolt.



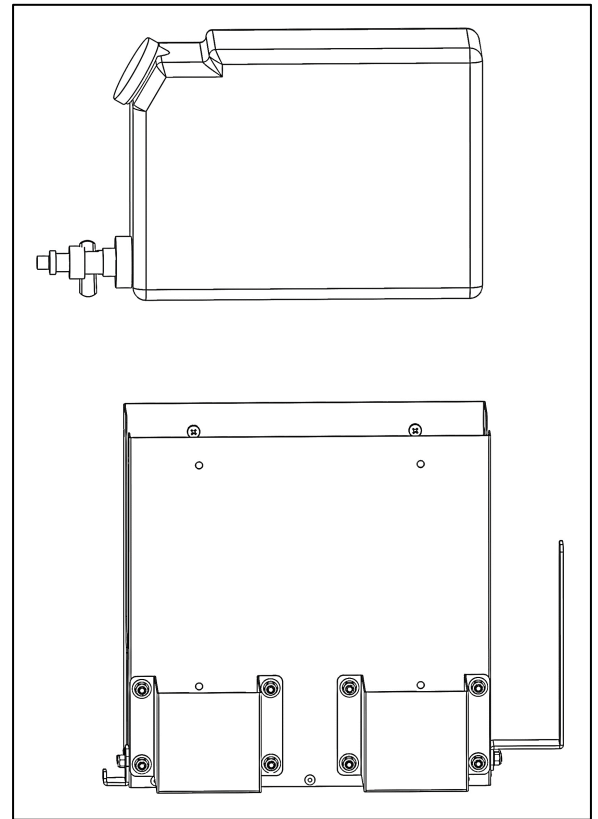
- Using four 1/4" x 1/2" pan head screws, secure sanitation station to plus nuts installed into mounting surface.
- TIGHTEN nuts.



Step 7 – Carboy

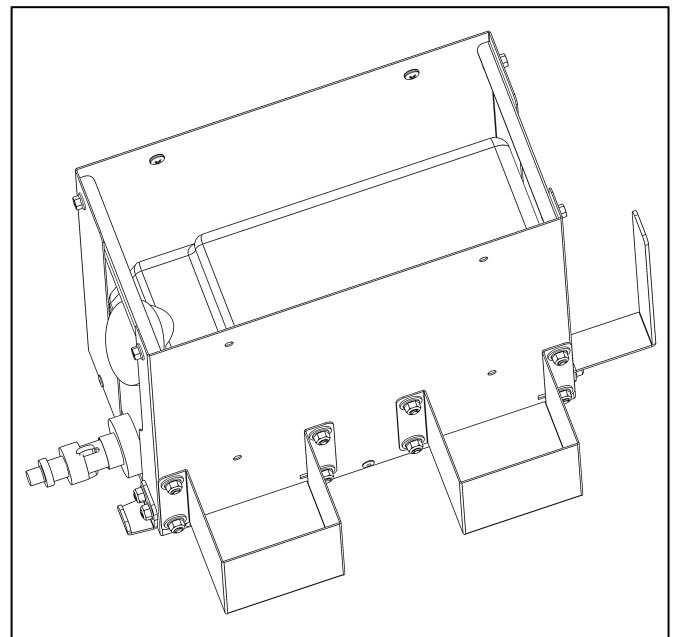
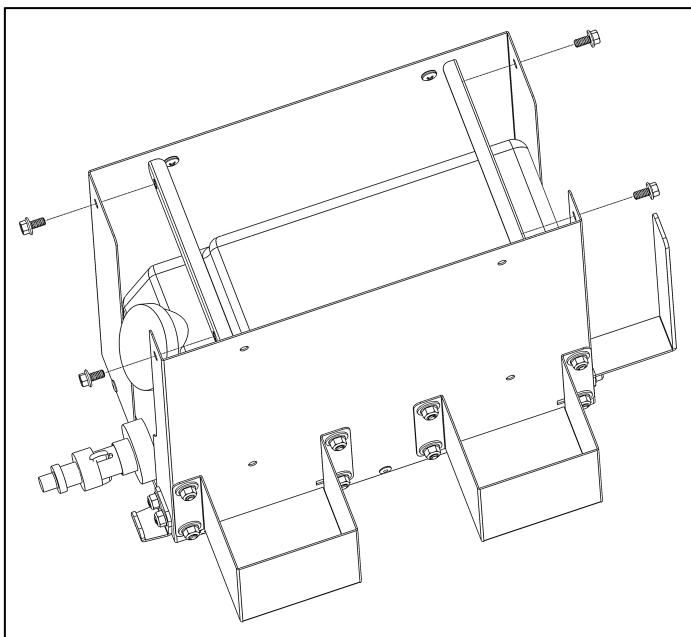
- Insert carboy into sanitation station.

NOTE: There is a flange inside the sanitation station to secure the carboy. Be sure the carboy is not resting on top of the flange as it may damage the carboy when filled with water.



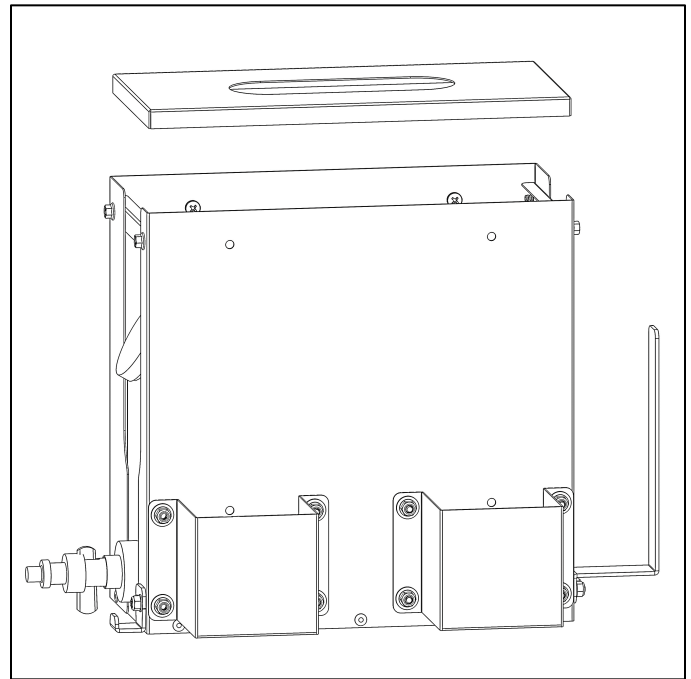
Step 8 – Install Lid Supports

- Using four 1/4" x 1/2" flanged hex head screws, install lid support assembly to panel assembly as shown. Be sure to install with flange towards the top. The flanges must be towards the top to properly hold the lid in place.
- TIGHTEN bolts.



Step 9 – Lid

- With flanges downward, insert lid into top of sanitation station.



GO BACK AND ENSURE ALL HARDWARE IS TIGHTENED.

ASSEMBLY IS COMPLETE