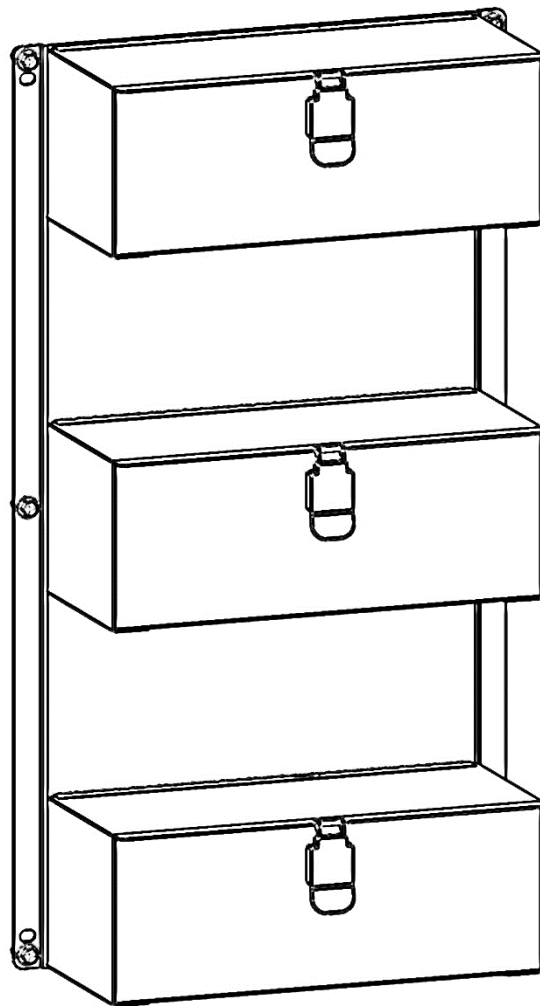


Holman

Instruction Guide 40114



Holman
Rancho Cordova, CA 95742
800-343-7486
InstallationSupport@Holman.com

PLEASE READ ALL INSTRUCTIONS AND WARNINGS PRIOR TO ASSEMBLING, INSTALLING, AND USING THIS PRODUCT.

Warning



Always check for wires, fuel tanks and lines, brake lines and other important vehicle functionality items prior to drilling and installing all products.

Table of Contents

Tools Needed 1

Before You Begin 1

Parts List 2

Hardware 2

Step 1 – Prepare Installation Location 3

Step 2 – Install Tray Organizer 3

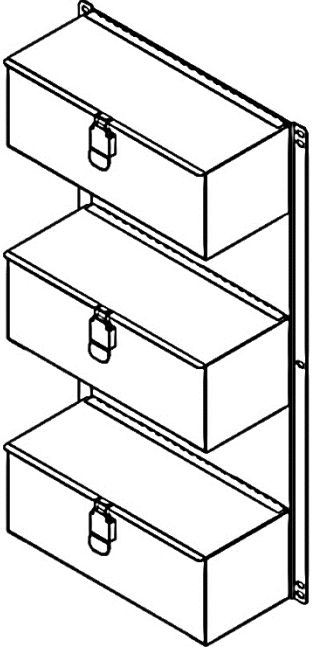
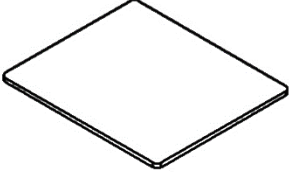
Tools Needed

3/8" Socket and Wrench	7/16" Box Wrench
17/64" Drill Bit	Drill

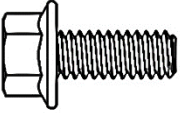

Before You Begin

- Read all instructions prior to assembling or installing any Holman product.
 - **Always locate your installation locations prior to performing any work.**
 - **ENSURE SAFETY WHILE INSTALLING OR DRILLING INTO VEHICLE.**
-

Parts List

NO.	ITEM	PART NUMBER	DESCRIPTION	QTY.
1		101266	12" W TRAY ORGANIZER	1
2		100683	DIVIDER	6
3		18-40114	HARDWARE KIT	1

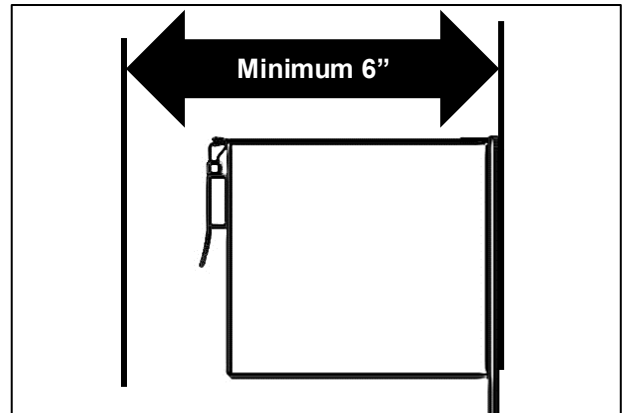
Hardware

ITEM	HARDWARE TO SCALE	PART NUMBER	DESCRIPTION	QTY.
1		11126953	1/4"-20 X 5/8" FLANGED HEX HEAD	6
2		0167030	1/4"-20 FLANGED LOCK NUT	6

Step 1 – Prepare Installation Location

- Determine proper installation location. Tray organizer can be mounted to nearly any flat surface such as shelf end panels and partitions. The tray organizer may also be installed to van rear doors with additional mount kit 40114T.
- Verify clearance around installation, checking for interference with van doors or other accessories.

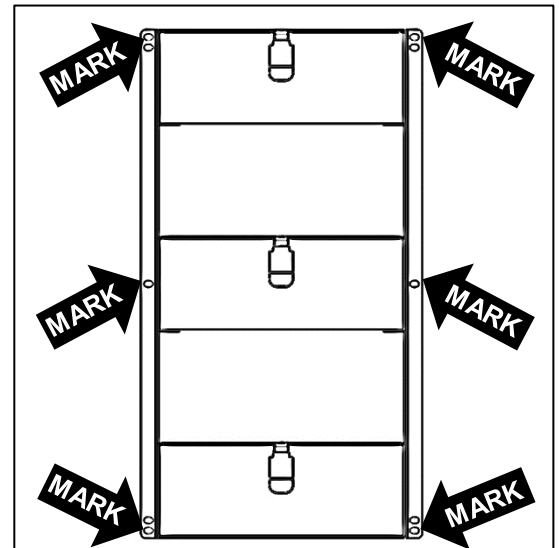
Note: Minimum 6” clearance is required from mount surface to front of tray organizer.



- Mark location of six holes onto installation surface.

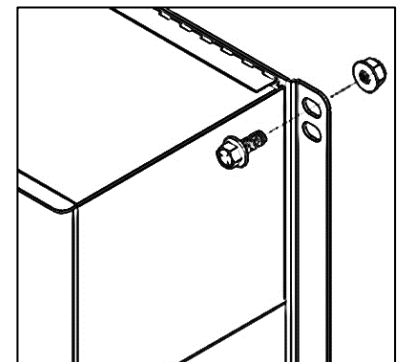
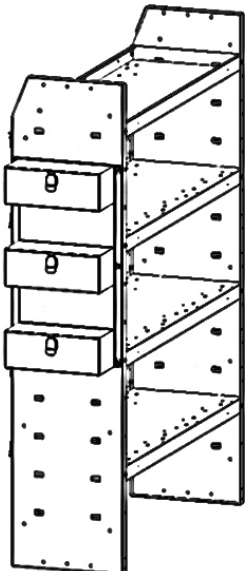
Note: When possible it is recommended to use the highest top hole and lowest bottom hole for mounting.

- Set aside tray organizer. Use 17/64” drill bit to drill six marked holes.



Step 2 – Install Tray Organizer

- Using six 1/4” x 5/8” flanged hex head screws and six 1/4” flanged lock nuts, install tray organizer.
- TIGHTEN all hardware.



GO BACK AND ENSURE ALL HARDWARE IS TIGHTENED.

INSTALLATION IS COMPLETE.