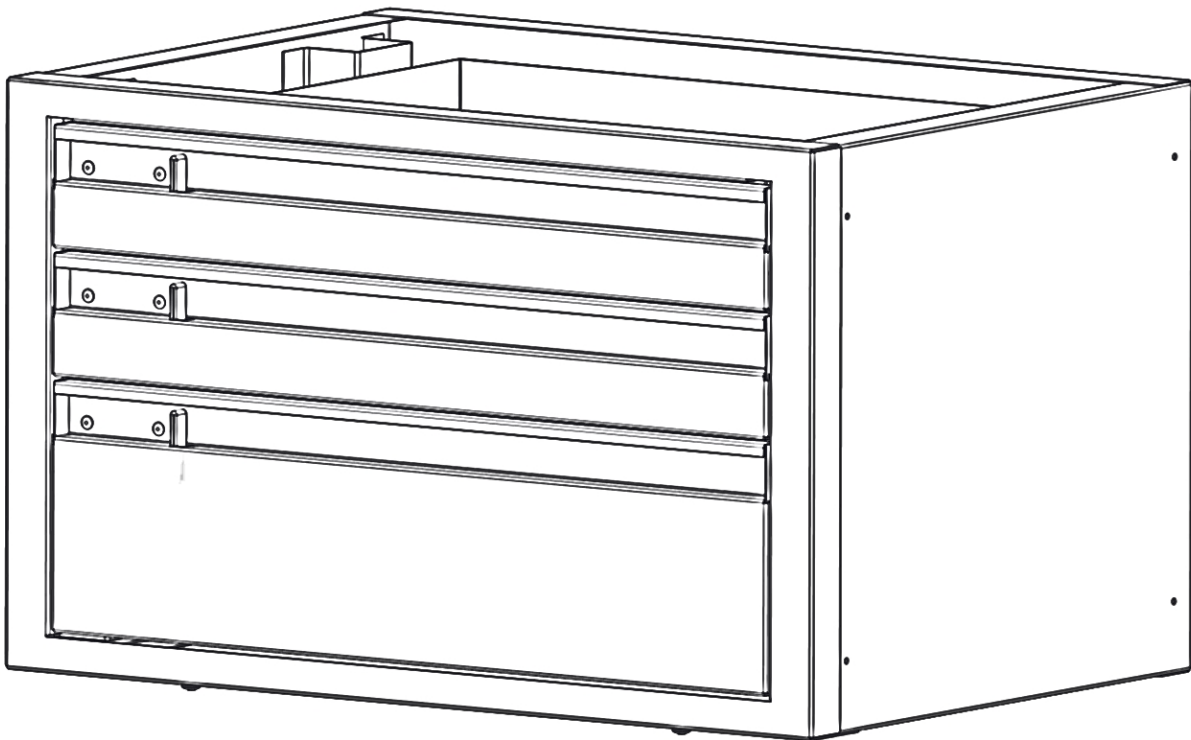


Holman

Installation Guide

40080



Holman
Rancho Cordova, CA 95742
800-343-7486
InstallationSupport@Holman.com

PLEASE READ ALL INSTRUCTIONS AND WARNINGS PRIOR TO ASSEMBLING, INSTALLING, AND USING THIS PRODUCT.

Warning



Always check for wires, fuel tanks and lines, brake lines and other important vehicle functionality items prior to drilling and installing all products.

Tools Needed

Phillips Driver	1/4" Drill (optional)
-----------------	-----------------------

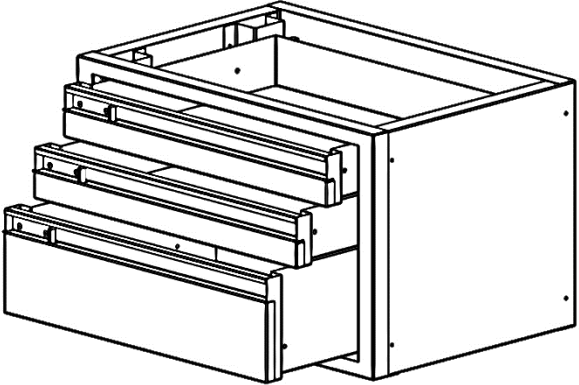
Table of Contents

Before You Begin	1
Parts.....	2
Hardware	2
Step 1 – Find Location	3
Step 2 – Attach Cabinet to Shelf	3



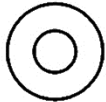
Before You Begin

- Read all instructions.
- ENSURE SAFETY PRIOR TO DRILLING.
- Instructions are shown using a 2-drawer unit (40070). All instructions are the same for 40070, 40080 and 40090.

Parts

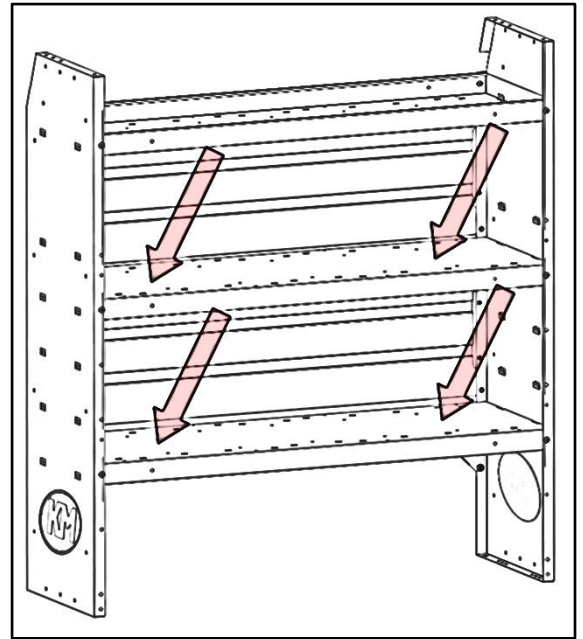
ITEM NO.		PART NUMBER	DESCRIPTION	QTY.
A		40080-10	3 DRAWER UNIT	1
		18-00735	DRAWER HARDWARE	1

Hardware

ITEM NO.	TO SCALE	PART NUMBER	DESCRIPTION	QTY.
1		90272A830	10-32 x 5/8" Pan Head Screw w/loctite	4
2		90126A514	No10 Flat Washer	4
3		91102A740	No10 Split Lock Washer	4

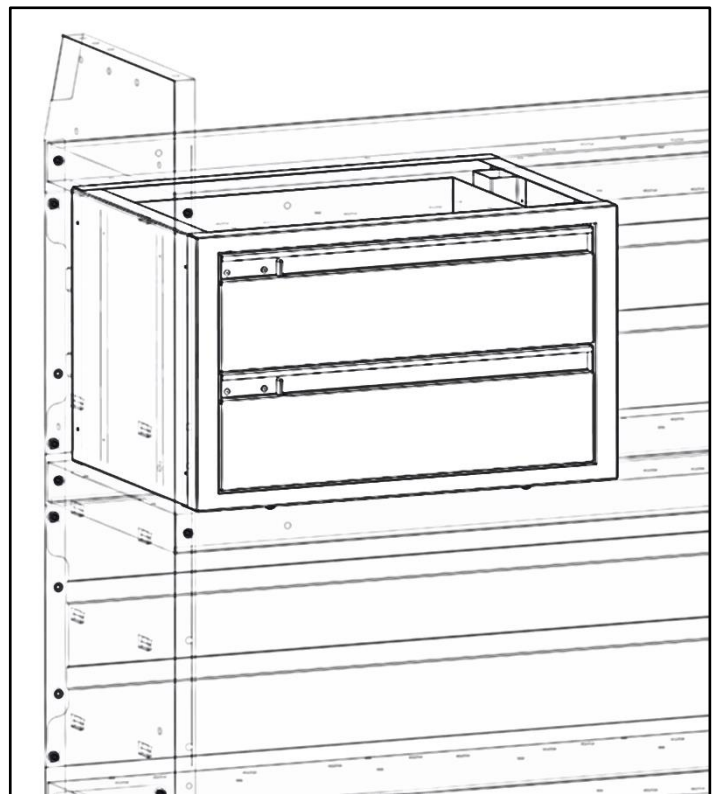
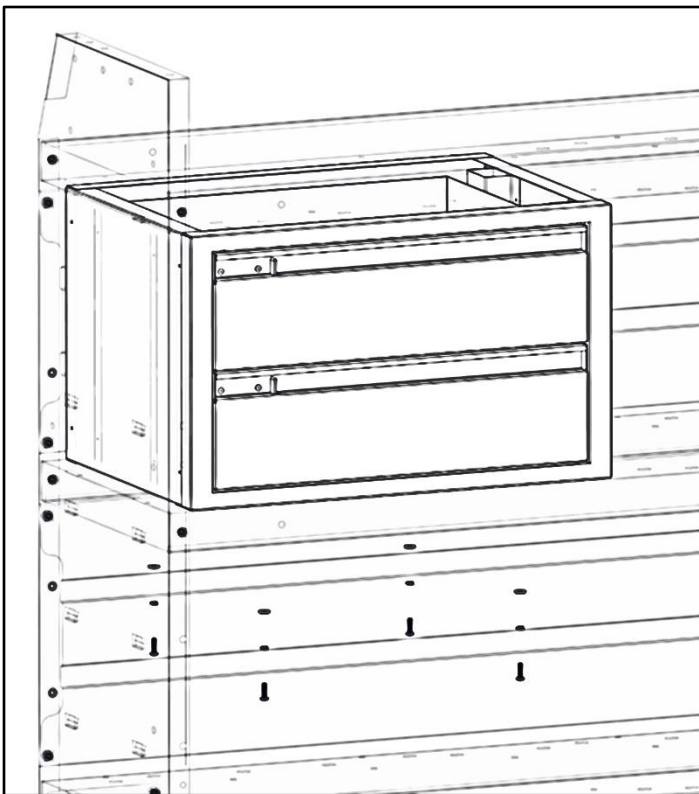
Step 1 – Find Location

- Find desired location for drawer unit to be installed.
- Slots can be found along the shelf of most Holman shelf units. One can make use of these.
- If desired, place drawer unit (A) in any desired location, mark holes and drill with 1/4" drill.



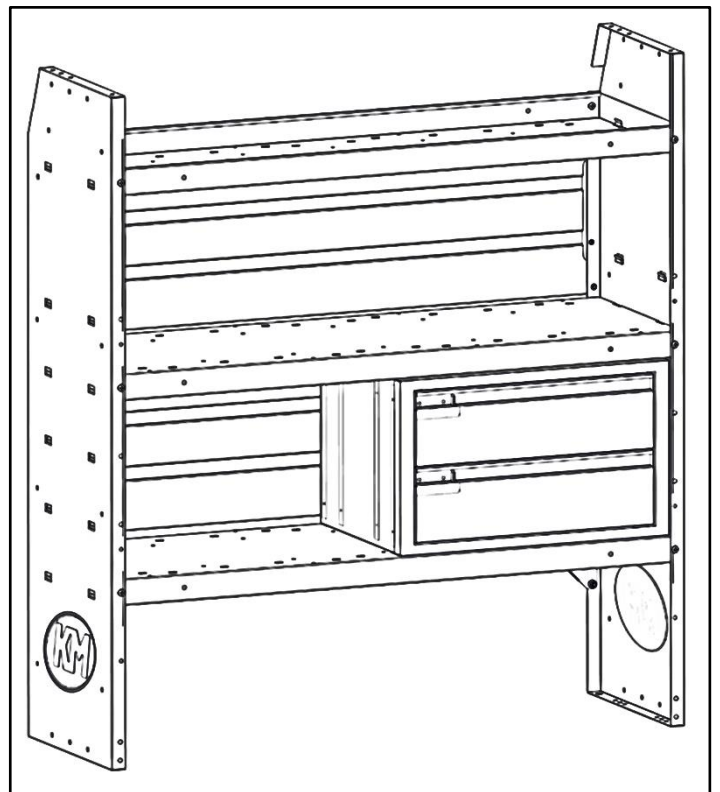
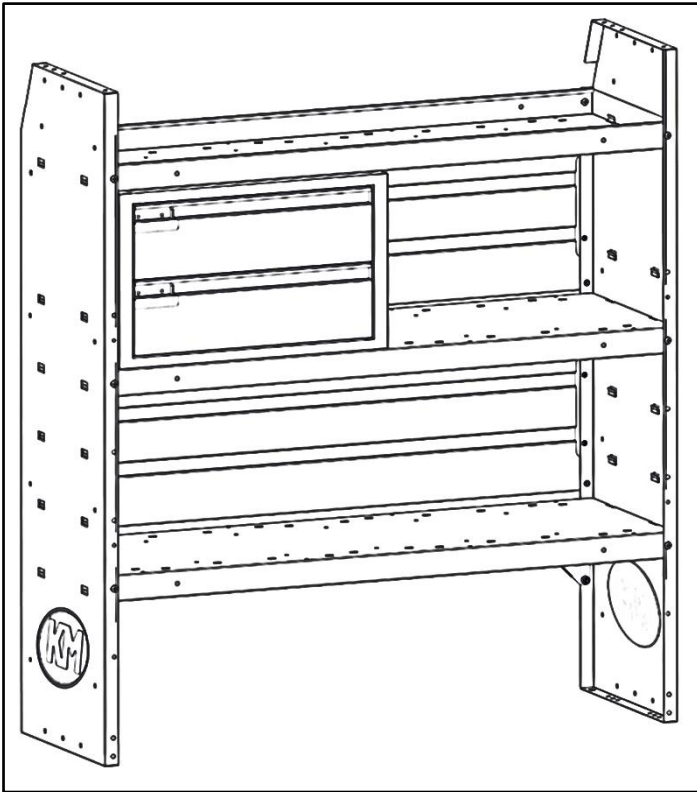
Step 2 – Attach Cabinet to Shelf

- Bolt drawer unit to shelf using a #10 x 5/8" round heads (1), #10 split lock washers (2) and a #10 flat washers (3).



- Shown using 40070. Instructions will be the same.

Drawer units may be installed in a variety of different locations.
Some examples are shown below.



Ensure all bolts are tight. Your Installation is now complete.