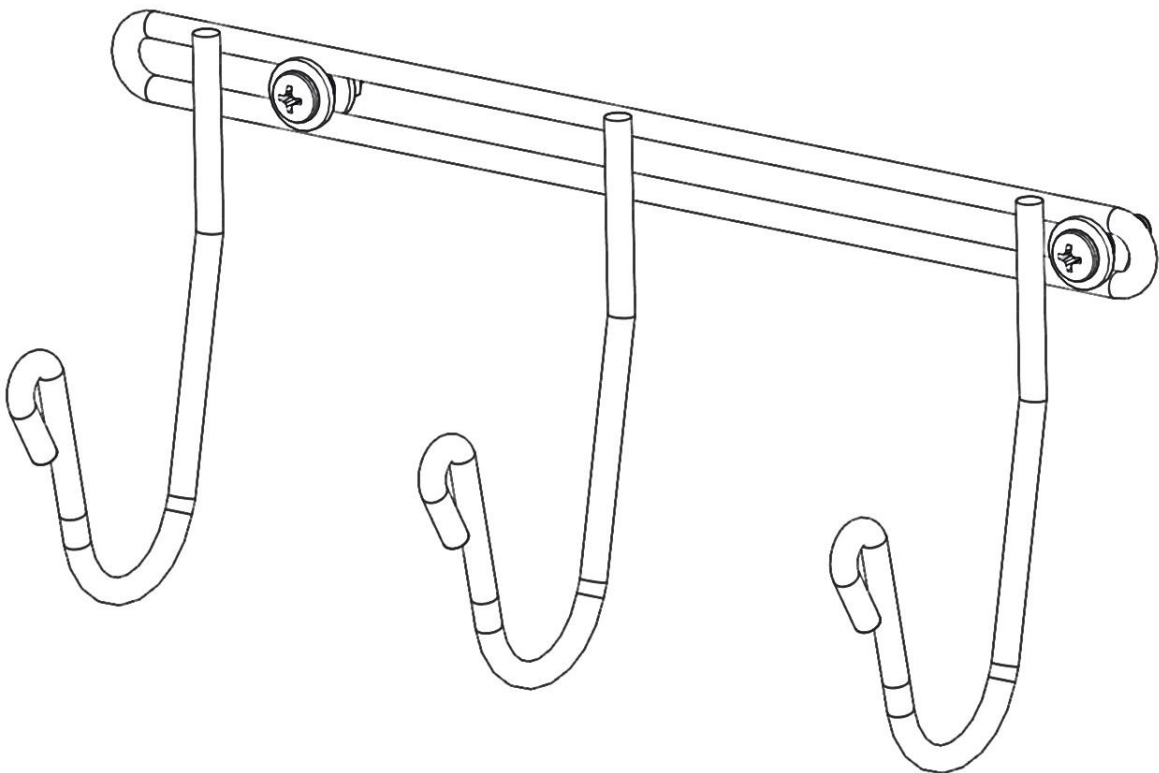


Holman

Installation Guide

40060



Holman
Rancho Cordova, CA 95742
800-343-7486
InstallationSupport@Holman.com

*** PLEASE READ ALL INSTRUCTIONS AND WARNINGS PRIOR TO ASSEMBLING, INSTALLING, AND USING THIS PRODUCT. ***

Warning



Always check for wires, fuel tanks and lines, brake lines and other important vehicle functionality items prior to drilling and installing all products.

Tools Needed

Phillips Driver	7/16" Socket and Wrench
1/4" Drill Bit	7/16" Box Wrench
Drill	

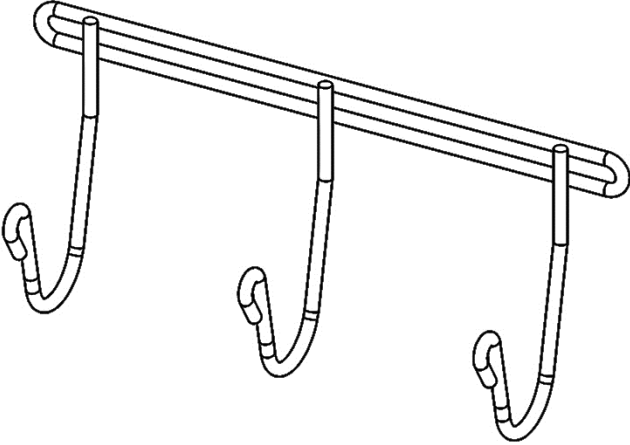
Table of Contents

Parts List	2
Hardware List	2
Step 1 – Find Location	3
Step 2 – Install J-Hook.....	3

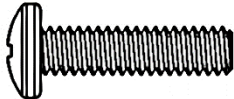

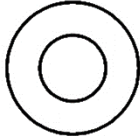



Before You Begin

- Read all instructions prior to assembling or installing any product.
 - ENSURE SAFETY PRIOR TO DRILLING.
 - Product can be installed on virtually any sheet metal product. Make use of the J-Hook on shelves, partitions, lockers and much more.
-

Parts

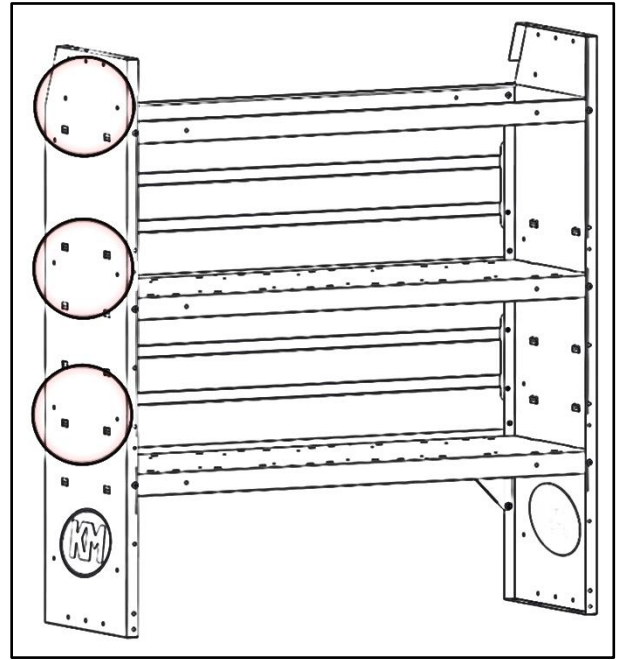
ITEM NO.		PART NUMBER	DESCRIPTION	QTY.
A		40060-10	J-Hook ASM	1
		18-40060	J-Hook Hardware	1

Hardware

ITEM NO.	TO SCALE	PART NUMBER	DESCRIPTION	QTY.
1	 	90272A542	1/4"-20 x 1.0" Phillips Pan Head	2
2	 	90126A030	5/16" Flat Washer	4
3	 	95615A120	1/4"-20 Nyloc	2

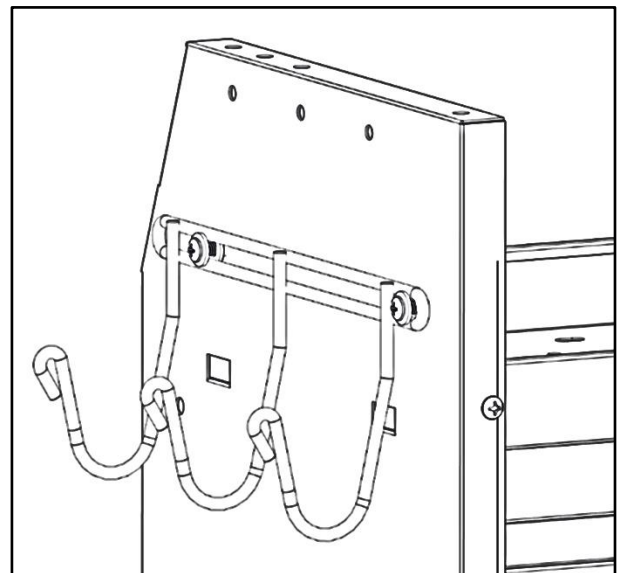
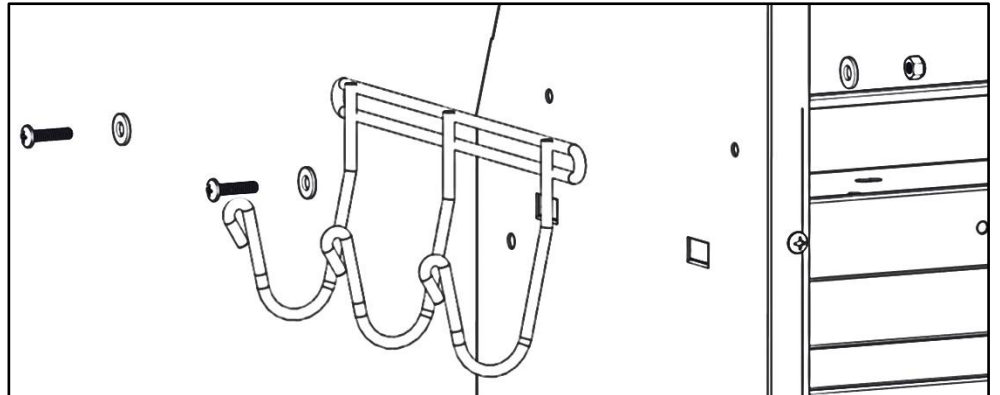
Step 1 – Find Location

- Find desired location for J-Hook to be installed.
- Pre-drilled holes can be found along the side of most Holman shelf units.
- If mounting to a product other than a shelf, locate, mark, and drill two 1/4" holes at desired installation location.



Step 2 – Install J-Hook

- Using 1/4" x 5/8" round head screws, 5/16" flat washers and 1/4" lock nuts, bolt the hook to the installation surface.



Ensure all bolts are tight. Your Installation is now complete.