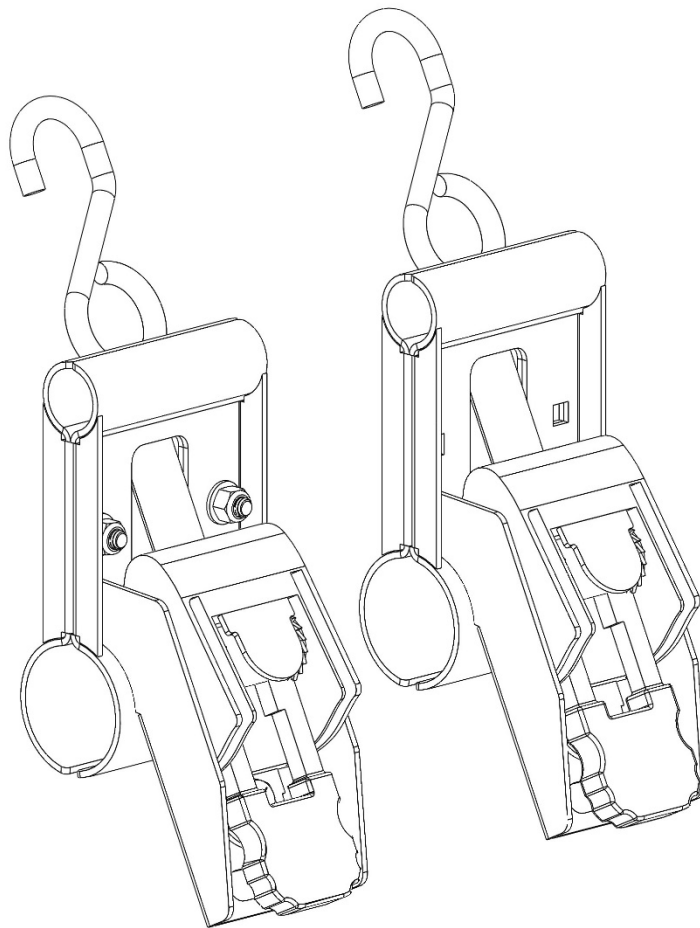

Holman

Installation Guide 31500



Holman
Rancho Cordova, CA 95742
800-343-7486
InstallationSupport@Holman.com

***PLEASE READ ALL INSTRUCTIONS AND WARNINGS PRIOR TO ASSEMBLING,
INSTALLING, AND USING THIS PRODUCT***

Warning



Always check for wires, fuel tanks and lines, brake lines and other important vehicle functionality items prior to drilling and installing all products.

Tools Needed

1/2" Wrench and Socket	9/16" Wrench and Socket
------------------------	-------------------------

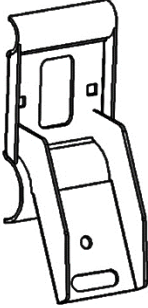
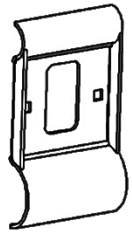
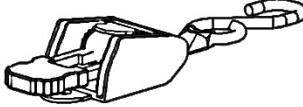
Table of Contents

Parts List	2
Hardware List	2
Installation	3

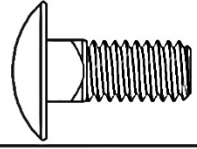
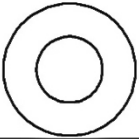
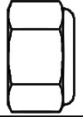

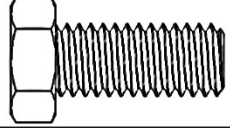
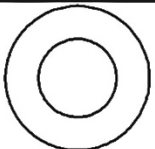
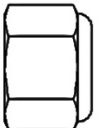
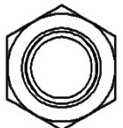
Before You Begin

- Read all instructions before assembling or installing any Holman product.

Parts

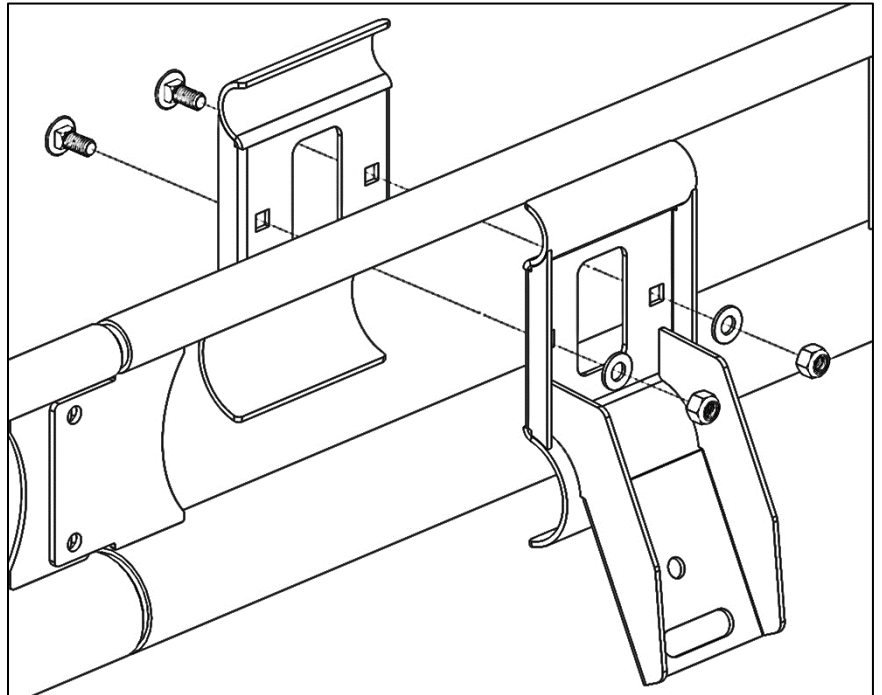
NO.	ITEM	PART NUMBER	DESCRIPTION	QTY.
1		31500-10	Ratchet Side Clamp	2
2		31500-00-001	Back Side Clamp	2
3		-	SMALL RATCHET STRAP	2
4		18-31500	HARDWARE KIT	1

Hardware

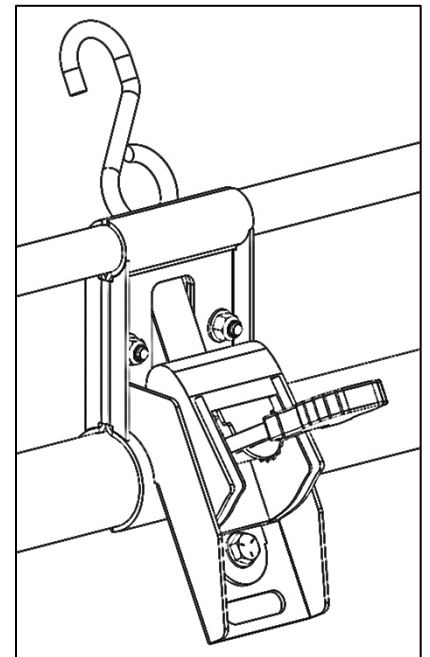
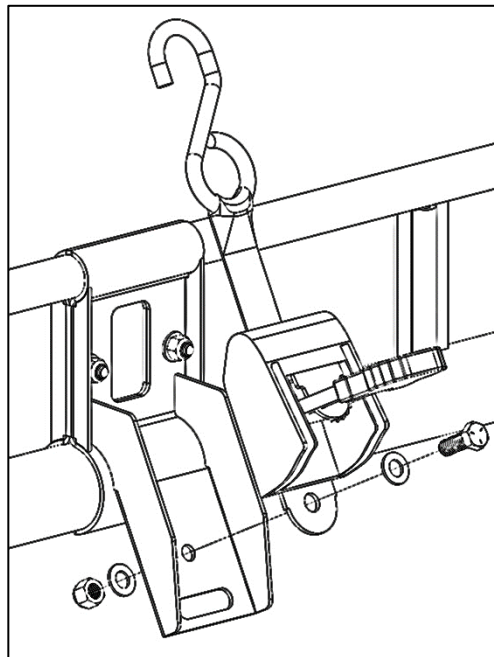
ITEM	HARDWARE TO SCALE	PART NUMBER	DESCRIPTION	QTY.
1		21810	5/16"-18 X 3/4" CARRIAGE BOLT	4
2		33080	5/16" WASHER	4
3	 	0169777	5/16"-18 NYLOC	4
4		70105	3/8-16 X 1" HEX HEAD BOLT	2
5		0159723	3/8" WASHER	4
6	 	0169791	3/8"-16 LOCK NUT	2

Installation

- Find desired location to attach ratchet strap mounts.
- Place ratchet side clamp on outside of ladder rack.
- Place back side clamp in position to pinch ladder rack between the two clamps as shown.
- Bolt together using two 5/16" x 3/4" carriage bolts, 5/16" flat washers, and 5/16" lock nuts.



- Using a 3/8" x 7/8" hex head screw, 3/8" washers, and 3/8" lock nut, bolt the ratchet strap to the ratchet strap mount as shown.
- Repeat for other set of clamps and brackets.



TIGHTEN ALL HARDWARE.

YOUR INSTALLATION IS NOW COMPLETE.