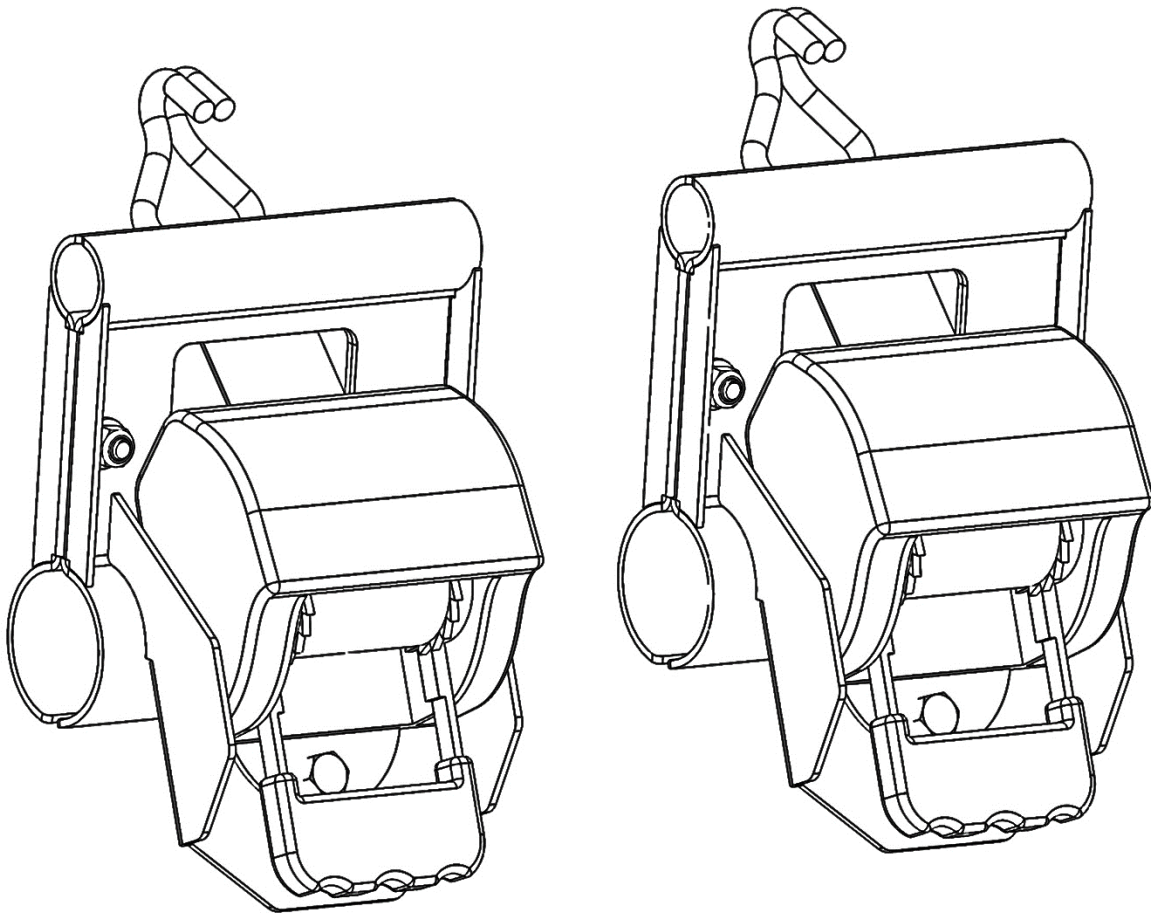


Holman

Installation Guide 31490



Holman
Rancho Cordova, CA 95742
800-343-7486
InstallationSupport@Holman.com

PLEASE READ ALL INSTRUCTIONS AND WARNINGS PRIOR TO ASSEMBLING, INSTALLING, AND USING THIS PRODUCT.

Warning



Always check for wires, fuel tanks and lines, brake lines and other important vehicle functionality items prior to drilling and installing all products.

Tools Needed

3/16" Allen Head Drive	1/2" Wrench and Socket
9/16" Wrench and Socket	

Table of Contents

Parts List 1

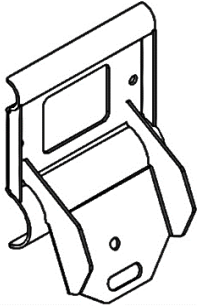
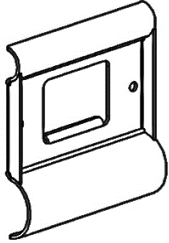
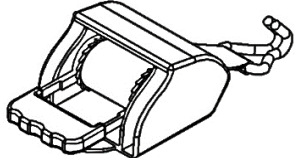
Hardware List 2

Installation 3

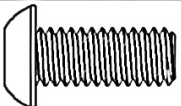
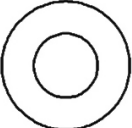


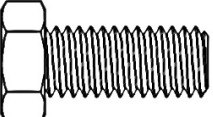
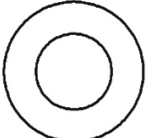
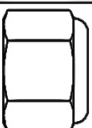

Before You Begin

- Read all instructions prior to installing any Holman product.

Parts

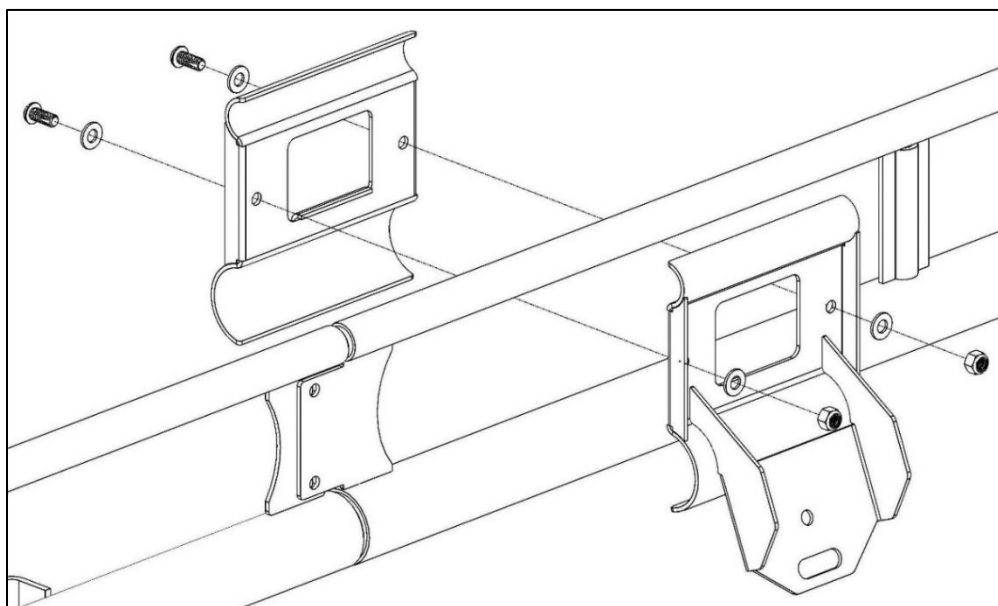
NO.	ITEM	PART NUMBER	DESCRIPTION	QTY.
1		13-00106	RATCHET SIDE CLAMP	2
2		11-00140	BACK SIDE CLAMP	2
3		-	LARGE RATCHET STRAP	2
4		18-31490	HARDWARE KIT	1

Hardware

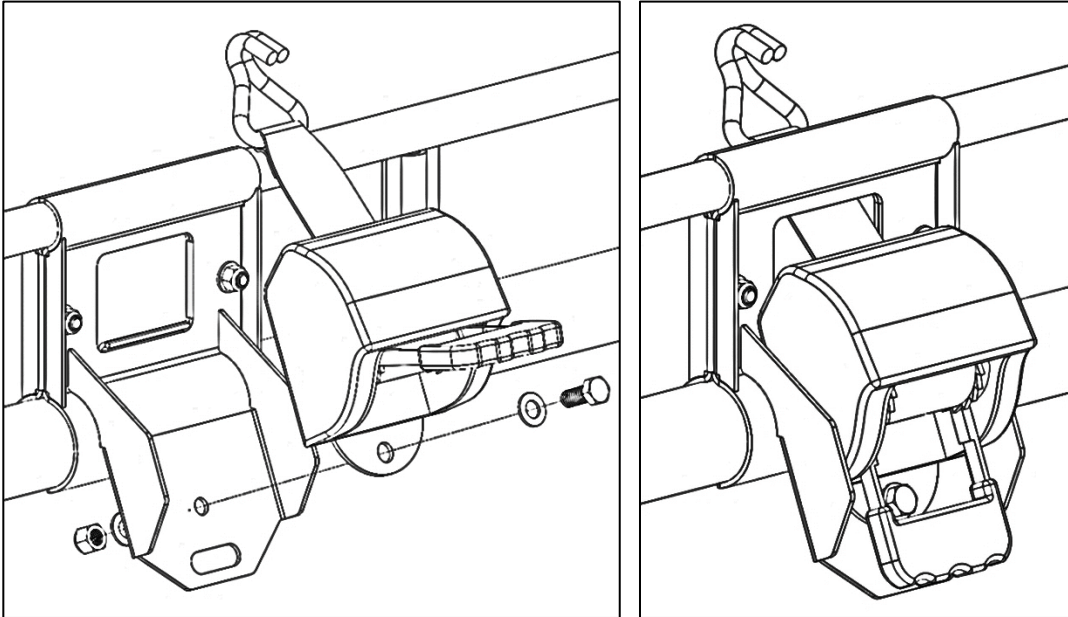
ITEM	HARDWARE TO SCALE	PART NUMBER	DESCRIPTION	QTY.
1		0153308	5/16"-18 X 3/4" BUTTON HEAD SCREW	4
2		33080	5/16" WASHER	8
3	 	0169777	5/16"-18 LOCK NUT	4
4		70054	3/8-16 X 7/8" HEX HEAD BOLT	2
5		0159723	3/8" WASHER	4
6	 	0169791	3/8"-16 LOCK NUT	2

Installation

- Find desired location to attach ratchet strap mounts.
- Place ratchet side clamp on outside of ladder rack.
- Place back side clamp in position to pinch ladder rack between the two clamps as shown.
- Bolt together using two 5/16" x 3/4" button head screws, 5/16" flat washers, and 5/16" lock nuts.



- Using a 3/8" x 7/8" hex head screw, 3/8" washers, and 3/8" lock nut, bolt the ratchet strap to the ratchet strap mount as shown.



- Repeat for other set of clamps and brackets.

TIGHTEN ALL HARDWARE.

YOUR INSTALLATION IS NOW COMPLETE.