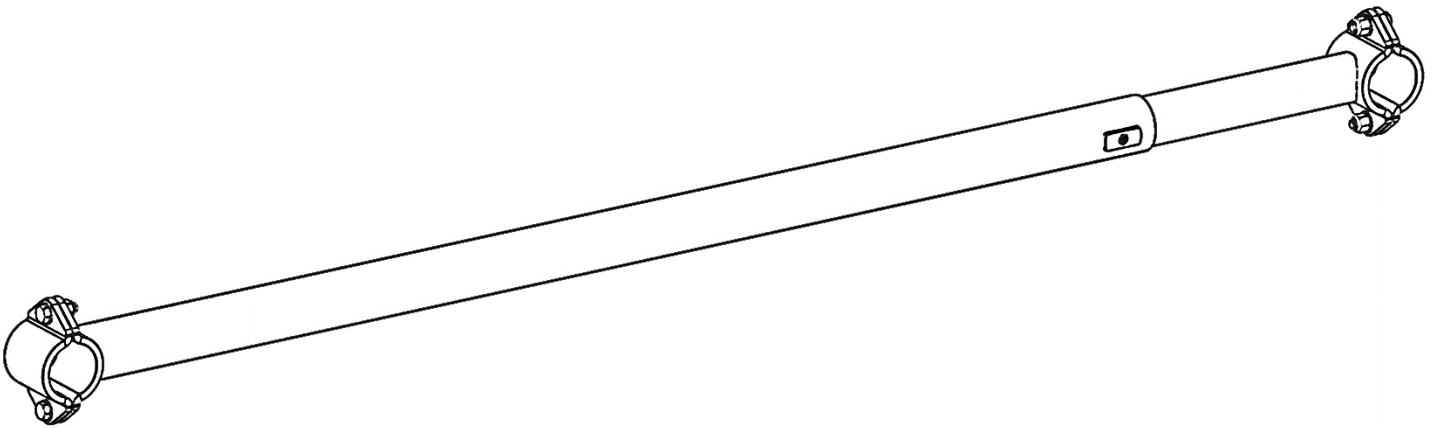


# Holman

---

## Instruction Guide 31110

---



---

Holman  
Rancho Cordova, CA 95742  
800-343-7486  
[InstallationSupport@Holman.com](mailto:InstallationSupport@Holman.com)

---

**PLEASE READ ALL INSTRUCTIONS AND WARNINGS PRIOR TO ASSEMBLING, INSTALLING, AND USING THIS PRODUCT.**

**Warning**



Always check for wires, fuel tanks and lines, brake lines and other important vehicle functionality items prior to drilling and installing all products.



**DO NOT EXCEED MANUFACTURERS WEIGHT CAPACITY FOR ROOF.**



Secure all payloads properly for safe transportation.

**Table of Contents**

Tools Needed ..... 1

Before You Begin ..... 1

Parts List ..... 1

Hardware ..... 2

Step 1 – Assemble Cross Bar ..... 2

Step 2 – Install Cross Bar ..... 3

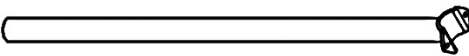

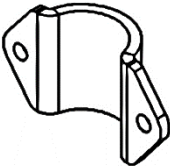
**Tools Needed**

9/16" Socket and Wrench	3/16" Allen Wrench
-------------------------	--------------------

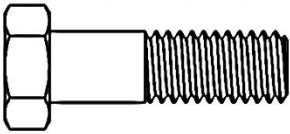

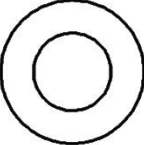

**Before You Begin**

- Read all instructions prior to assembling or installing any Holman product.
- **Always locate your installation locations prior to performing any work.**

**Parts List**

NO.	ITEM	PART NUMBER	DESCRIPTION	QTY.
1		13-00306	2" BAR ASSY, QUICK CLAMP	1
2		13-00305	1 3/4" BAR ASSY, QUICK CLAMP	1
3		11-00154	MTG BRKT CLAMP	2
4		18-31110	HARDWARE KIT	1

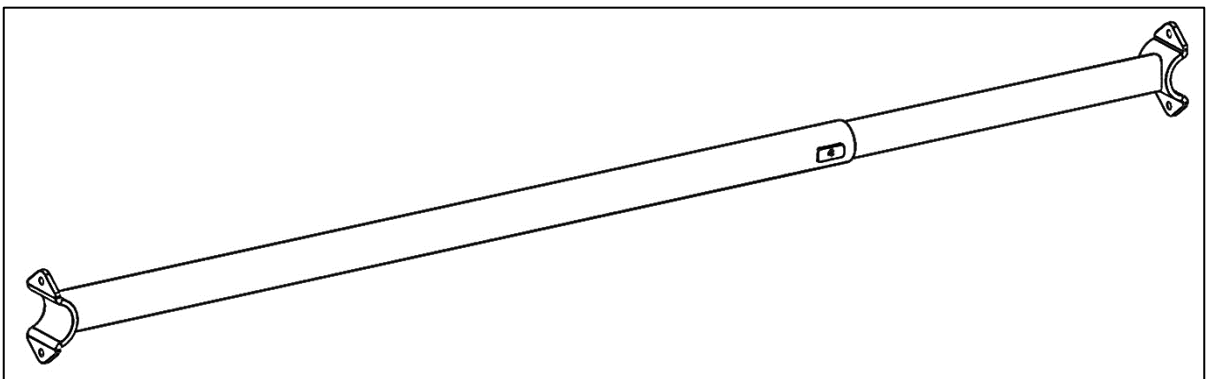
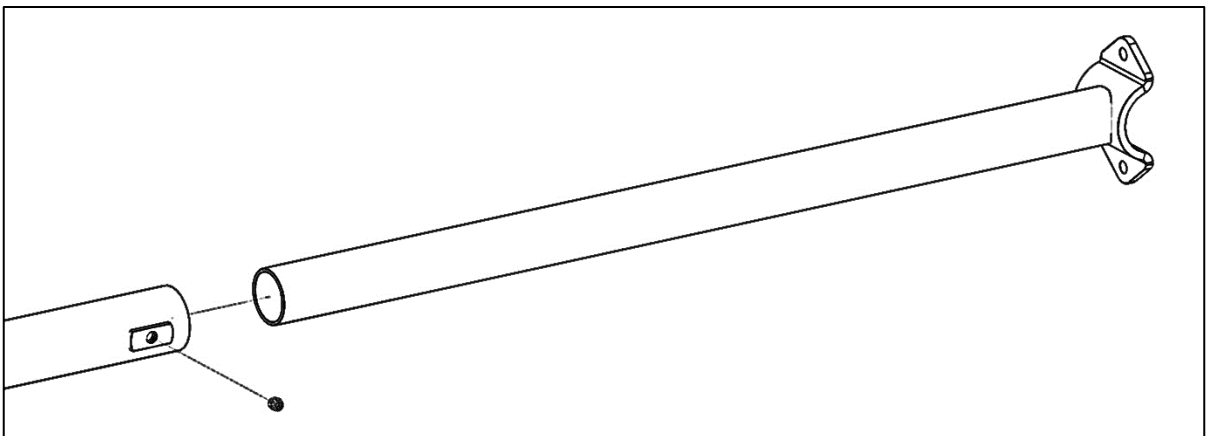
## Hardware

ITEM	HARDWARE TO SCALE	PART NUMBER	DESCRIPTION	QTY.
1		70107	3/8-16 X 1-1/4" HEX HEAD BOLT	4
2		0135144	3/8"-16 x 3/8" SET SCREW	1
3		0159723	3/8" WASHER	8
4		0169791	3/8"-16 LOCK NUT	4

**DO NOT EXCEED MANUFACTURERS WEIGHT CAPACITY FOR ROOF!**

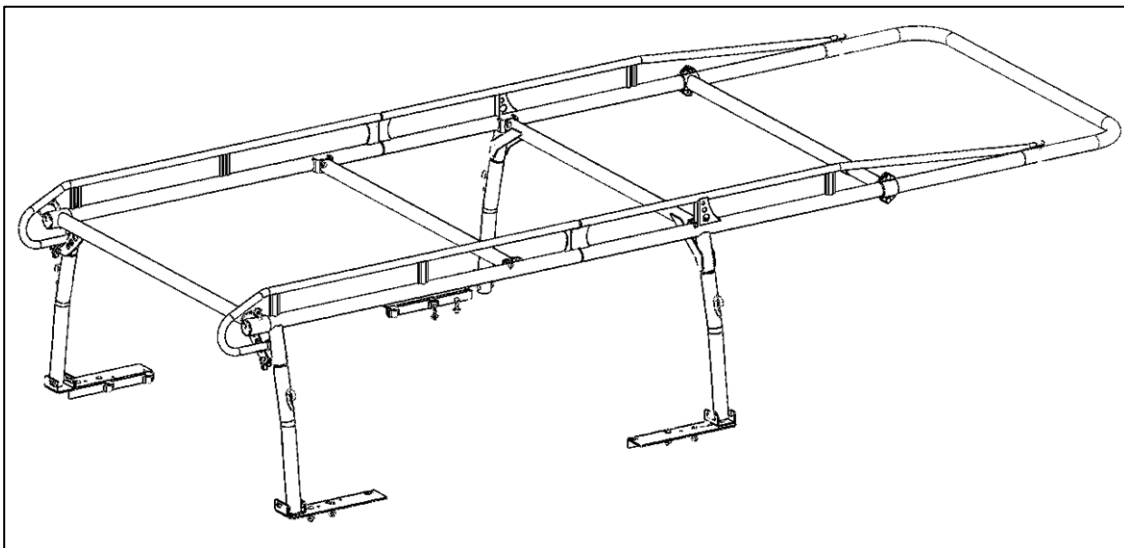
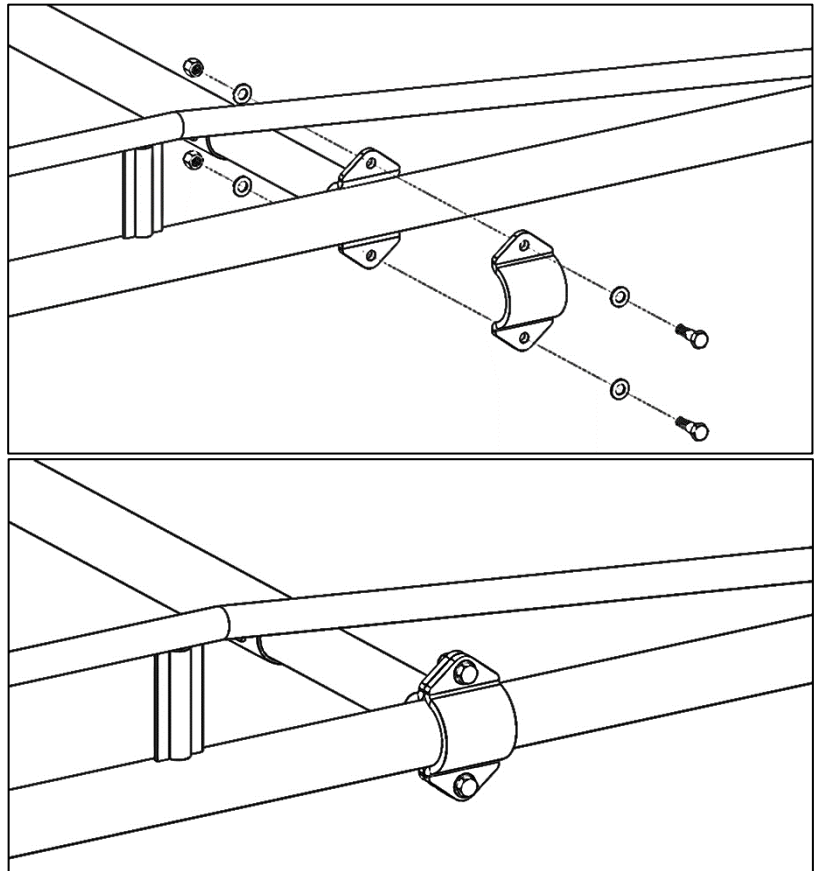
### Step 1 – Assemble Cross Bar

- Insert the 1-3/4" bar assembly into the 2" bar.
- Screw 3/8" x 3/8" set screw into cross bar and snug tighten but allow for movement.
- **Be sure to tighten this set screw once cross bar is installed.**



## Step 2 – Install Cross Bar

- Put cross bar in place and secure each side using a bracket clamp, two 3/8" x 1-1/4" hex head bolts, four 3/8" washers, and two 3/8" lock nuts as shown below.
- Snug tighten but allow for movement.
- Repeat on opposite side.
- Slide the cross bar into the desired location and tighten all hardware.



**GO BACK AND TIGHTEN ALL HARDWARE.**

**INSTALLATION IS COMPLETE.**