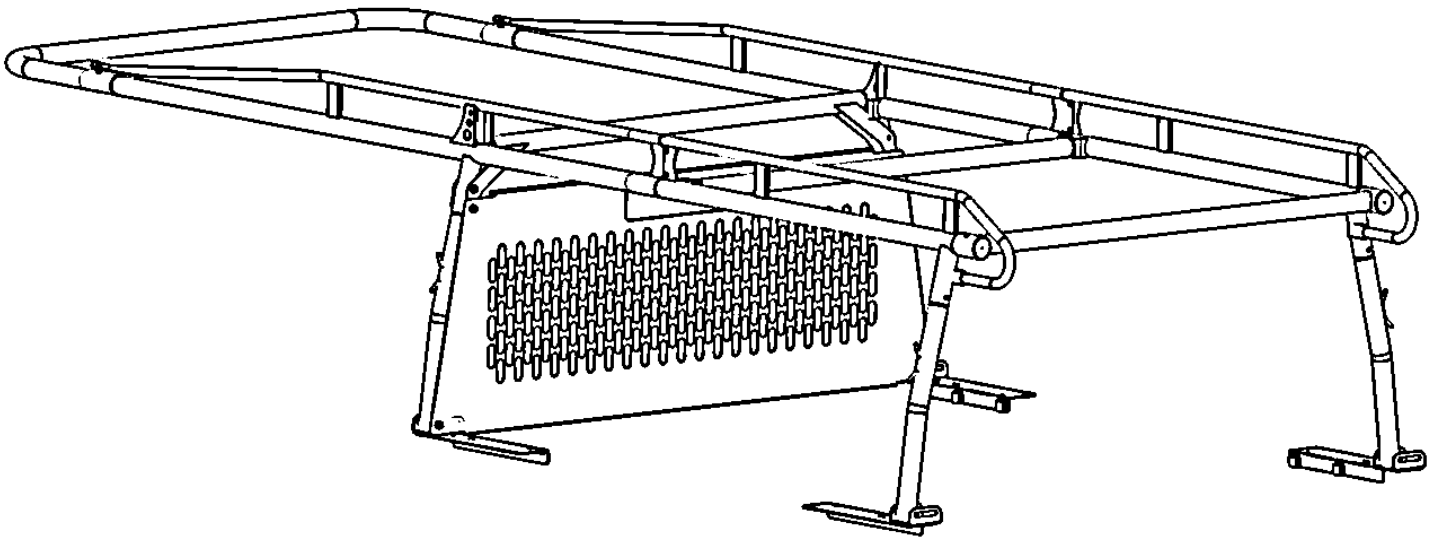


Holman

Installation Guide

3108SD



Holman
Rancho Cordova, CA 95742
800-343-7486
InstallationSupport@Holman.com

PLEASE READ ALL INSTRUCTIONS AND WARNINGS PRIOR TO ASSEMBLING, INSTALLING, AND USING THIS PRODUCT.

Warning



Always check for wires, fuel tanks and lines, brake lines and other important vehicle functionality items prior to drilling and installing all products.

Tools Needed

9/16" Wrench and Socket	
-------------------------	--

Table of Contents

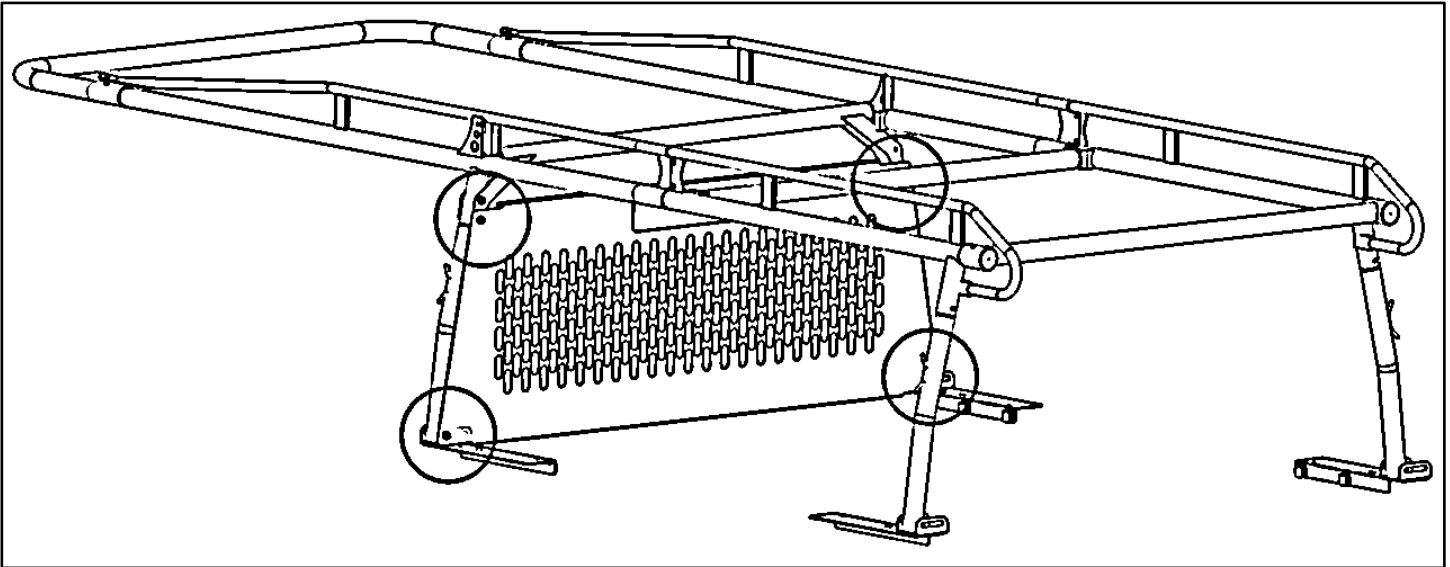
Step 1 – Attach 2

Before You Begin

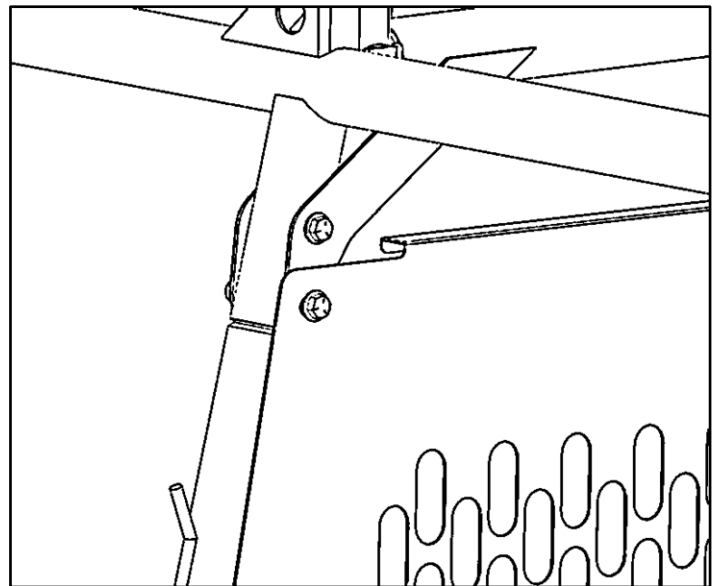
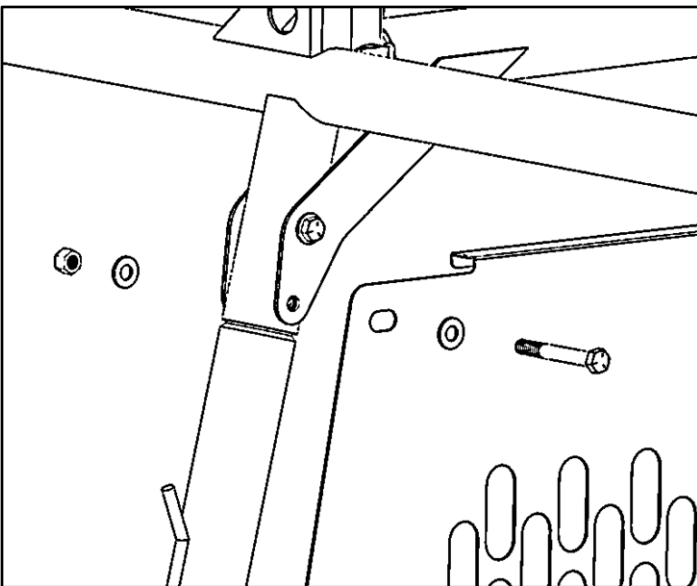
- Read all instructions.

Step 1 – Attach

- Find 4 locations shown below on ladder rack directly behind the cab of the truck.



- Remove four bolts from legs on ladder rack.
- Place cab guard in place.
- Replace bolts from initial location.
- Tighten.



GO BACK AND TIGHTEN ALL HARDWARE.

INSTALLATION IS COMPLETE.