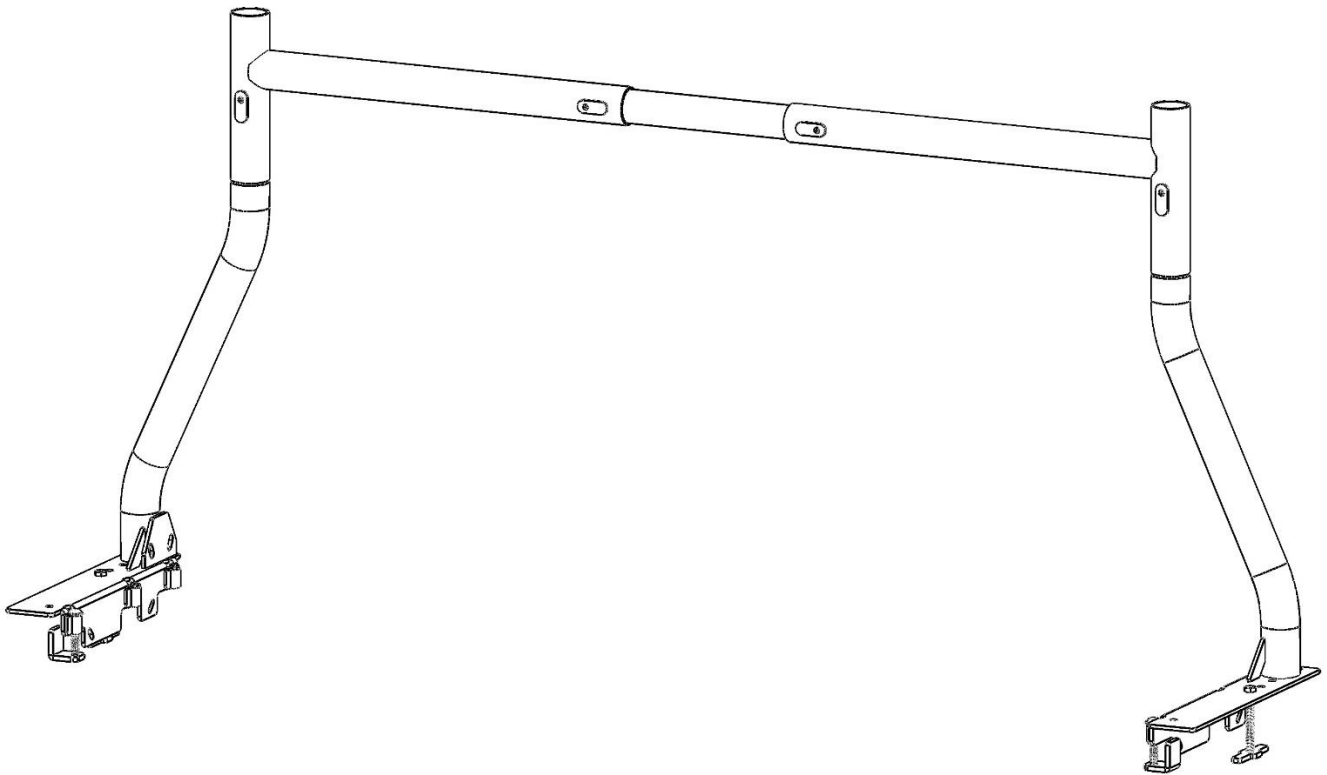


# Holman

---

## Instruction Guide 30050

---



---

Holman  
Rancho Cordova, CA 95742  
800-343-7486  
[InstallationSupport@Holman.com](mailto:InstallationSupport@Holman.com)

---

---

## PLEASE READ ALL INSTRUCTIONS AND WARNINGS PRIOR TO ASSEMBLING, INSTALLING, AND USING THIS PRODUCT.

---

### Warning



Always check for wires, fuel tanks and lines, brake lines and other important vehicle functionality items prior to drilling and installing all products.

---

### Table of Contents

Tools Needed .....	1
Before You Begin .....	1
Parts List .....	2
Hardware .....	3
Step 1 – Install Mounting Plates .....	4
Step 2 – Install Crossbar .....	5

---

### Tools Needed

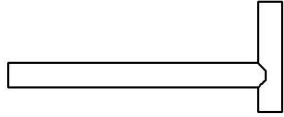
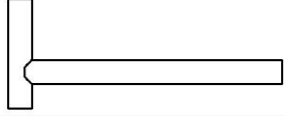
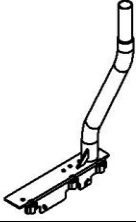
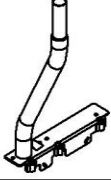


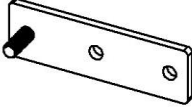

9/16" Socket and Wrench	3/16" Allen Wrench
3/8" Drill Bit	Drill

---

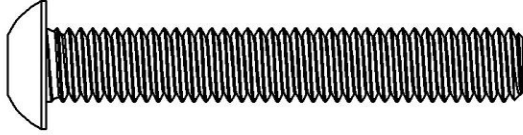
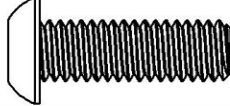
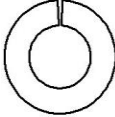
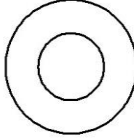


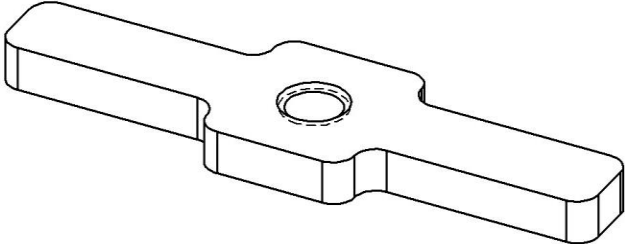
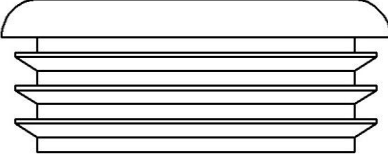
### Before You Begin

- Read all instructions prior to assembling or installing any Holman product.
- **ENSURE SAFETY WHILE INSTALLING OR DRILLING INTO VEHICLE.**

## Parts List

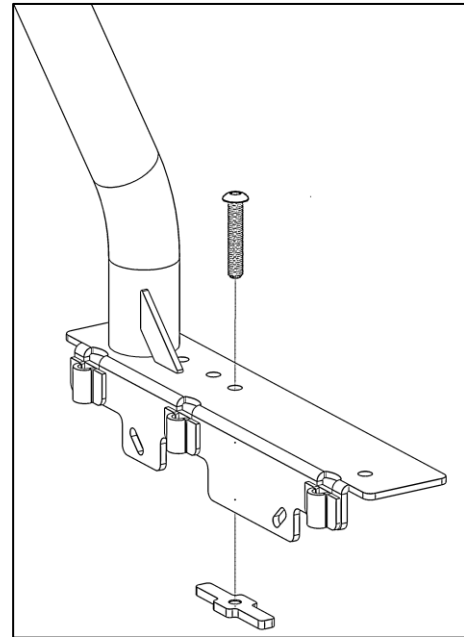
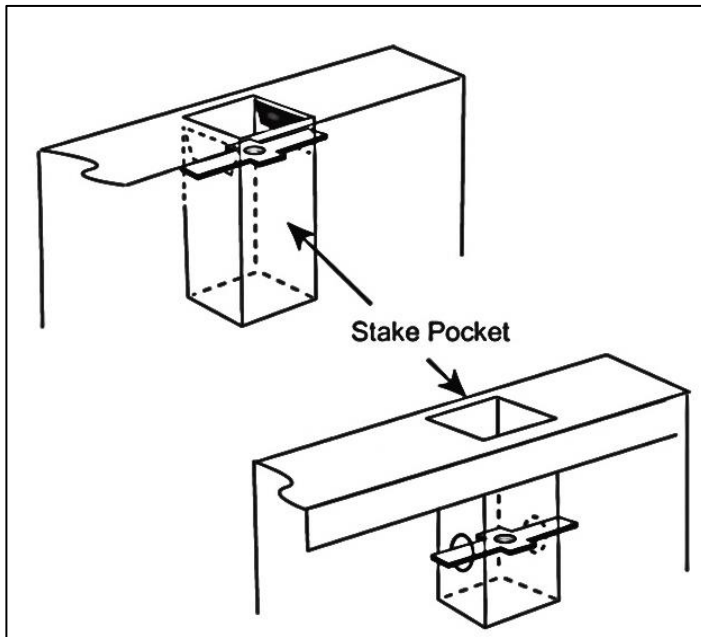
NO.	ITEM	PART NUMBER	DESCRIPTION	QTY.
1		13-00828	RIGHT CROSSBAR SUPPORT	1
2		13-00829	LEFT CROSSBAR SUPPORT	1
3		13-00836L	LEFT LEG ASSEMBLY	1
4		13-00836R	RIGHT LEG ASSEMBLY	1
5		11-00982	CROSSBAR	1
6		30070-00-006	ANGLE CLAMP	4
7		30070-22	STUD PLATE ASSEMBLY	2
8		30070-23	SMALL WELDMENT ASSEMBLY	2
9		18-30050	HARDWARE KIT	1

## Hardware

ITEM	HARDWARE TO SCALE	PART NUMBER	DESCRIPTION	QTY.
1		94718	3/8"-16 X 2.5" SOCKET CAP SCREW	6
2		0185432	5/16"-18 X 1" BUTTON HEAD	4
3		1133620	5/16" LOCKING WASHER	4
4		90126A30	5/16" LOCKING WASHER	4
5		0169777	5/16"-18 NYLOC	2
6		0135144	3/8"-16 x 3/8" SET SCREW	4
7		11-00112	3/8"-16 T-NUT	2
8		-	2" Round Plug	2

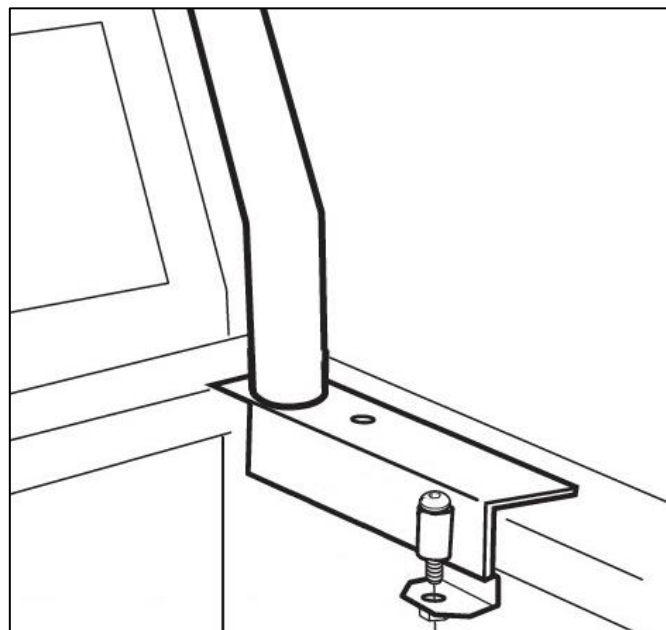
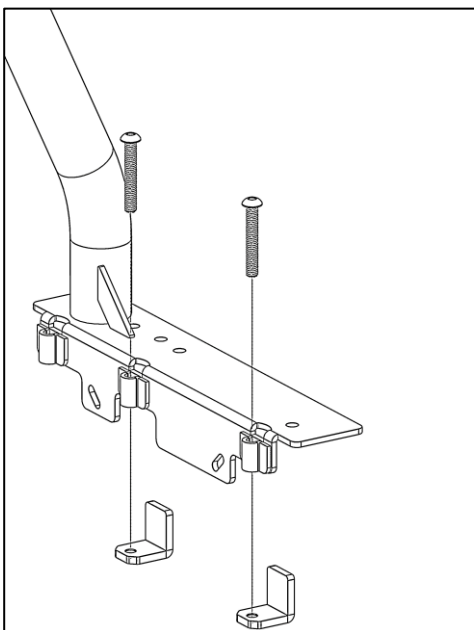
## **Step 1A – Install Mounting Plates using Stake Pocket**

- Position the front mounting plates as far forward towards the cab as possible.
- Mark and drill a 3/8" hole through the mount plate at the center of the stake pocket.
- Position the T-nut in the stake pocket and use the 3/8" x 2-1/5" button head screw to tighten down the mount plate.



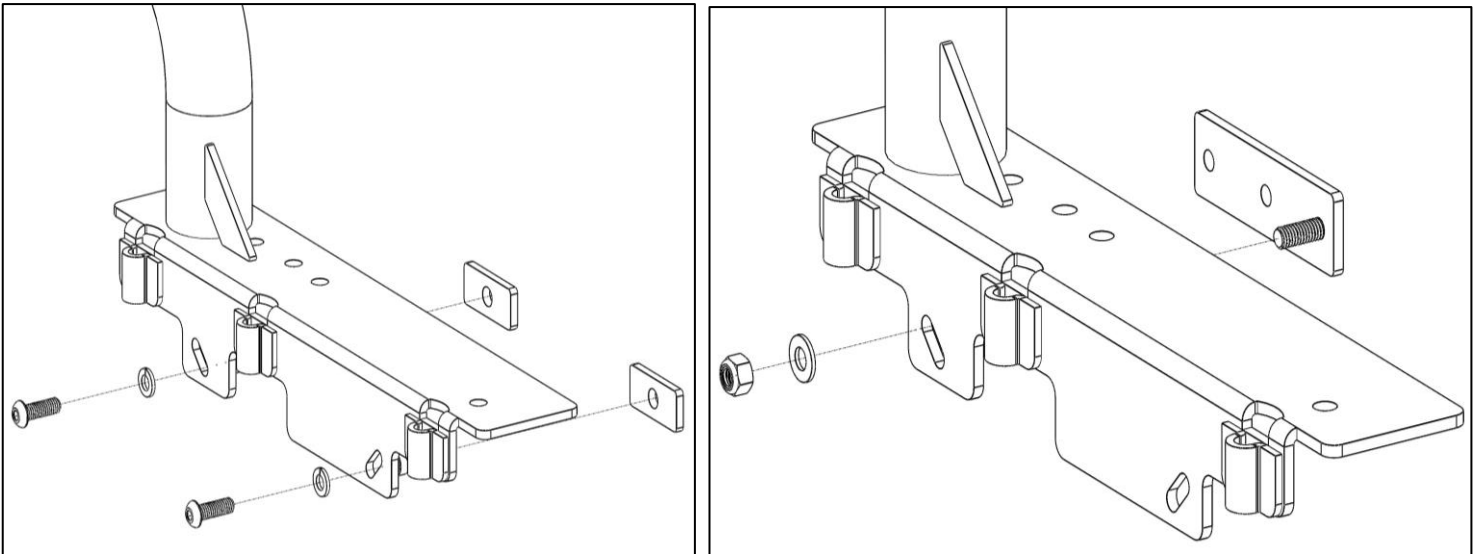
## **Step 1B – Install Mounting Plates using Under Bed Rail**

- Find a location where the underside of the bed rail is accessible.
- Use the 3/8" x 2-1/2" button head bolt and an angle mount to clamp under the bed rail.



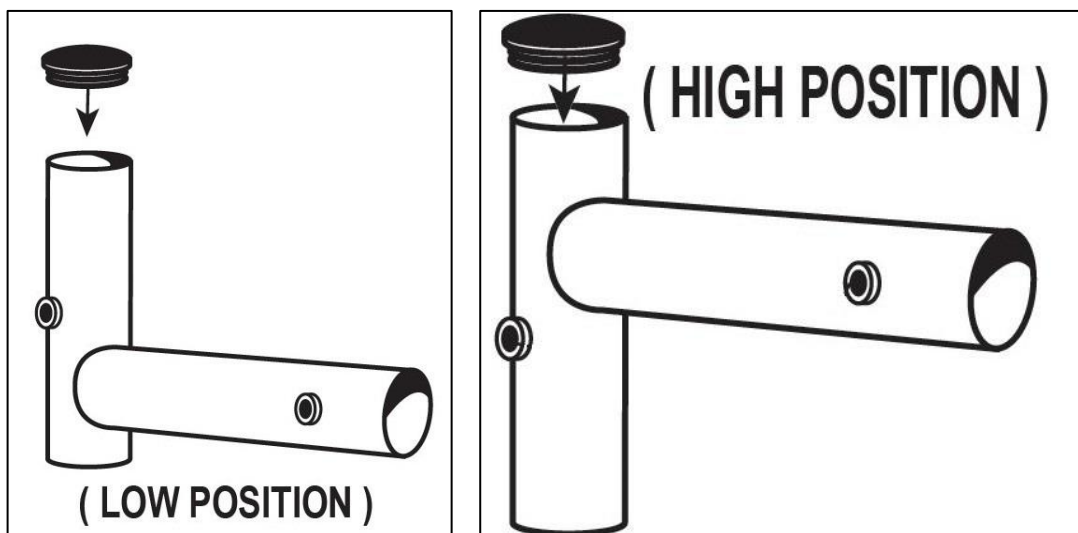
## **Step 1C – Install Mounting Plates using Slot Rails**

- If the truck is equipped with a slot rail on the inside of the bed, you can make use of the provided mount plates.
- Determine which of the provided plates fits in the slots in the bed.
- If using the smaller plate bolt to the plate using a 5/16" x 1" button head, a 5/16" split lock washer, and a 5/16" flat washer.
- If using the larger plate, attach using a 5/16" flat washer and 5/16" lock nut.
- If installing on a Tacoma, bolt through the two holes on pemstud assembly into the truck.

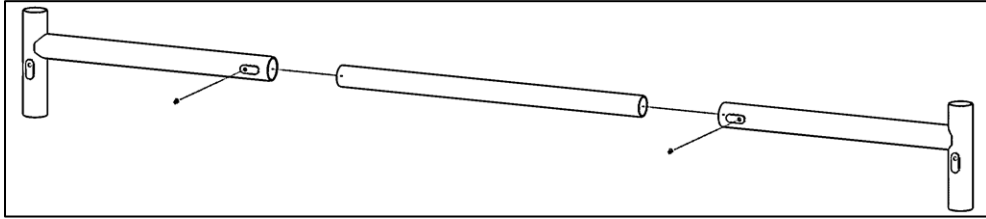


## **Step 2 – Install Crossbar**

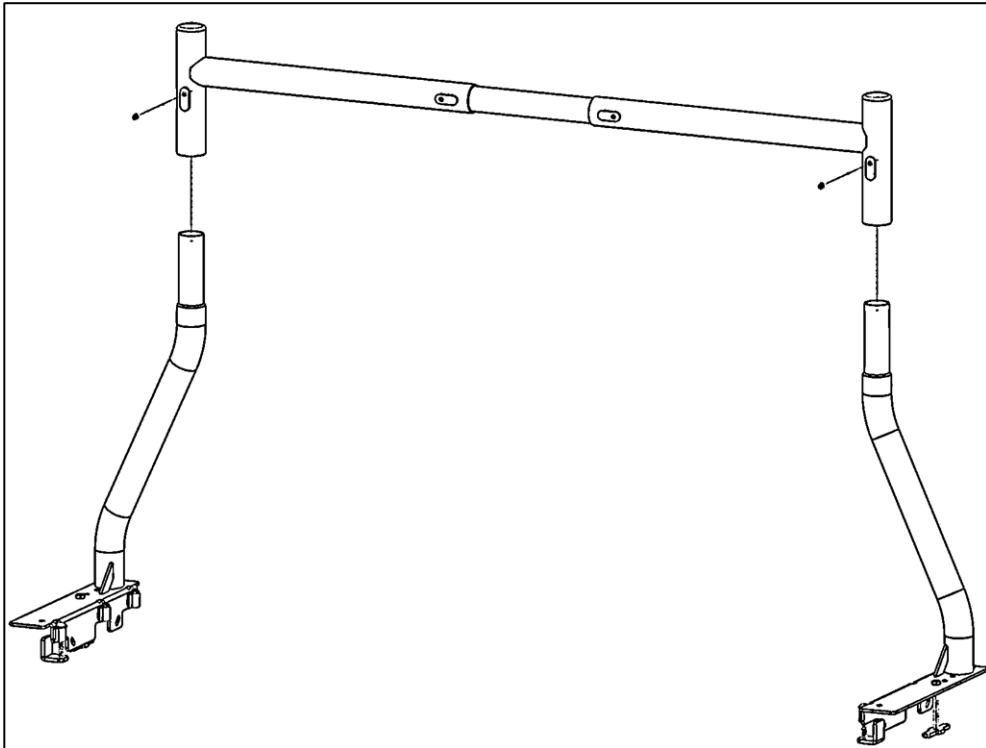
- Your rack can be set high or low by flipping the crossbar support. Determine which is best for your application.
- Plug the top of the crossbar support upright with caps provided.



- Insert the crossbar into the crossbar supports and set the entire assembly on top of the legs.
- If installing on a narrow truck it may be necessary to cut the crossbar to shorten length. **Be sure to paint the cut ends to avoid corrosion.**
- **CENTER THE CROSSBAR LEFT TO RIGHT**, and secure with set screws.



- Secure the crossbar support upright to each leg with set screws.



- Secure and tighten **ALL** bolts on the mounting feet and rack.

**GO BACK AND TIGHTEN ALL HARDWARE.**

**INSTALLATION IS COMPLETE.**