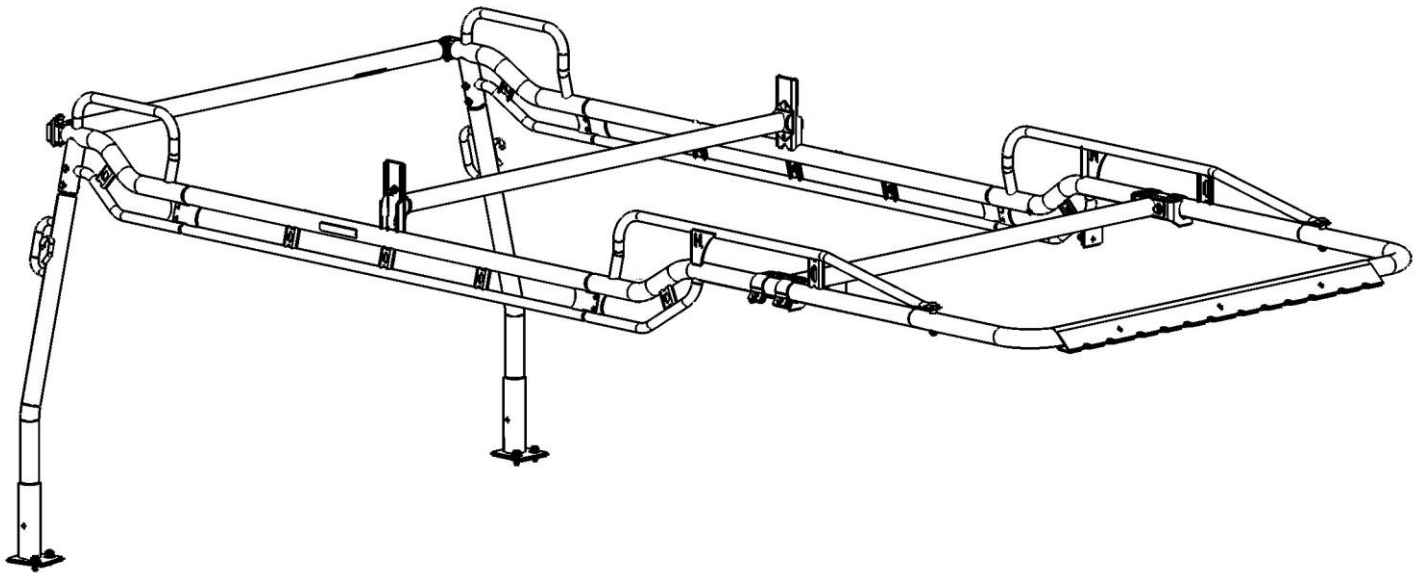


Holman

Installation Guide The Pro Rack Platform Body Rack



Holman
Rancho Cordova, CA 95742
800-343-7486
InstallationSupport@Holman.com

PLEASE READ ALL INSTRUCTIONS AND WARNINGS PRIOR TO ASSEMBLING, INSTALLING, AND USING THIS PRODUCT.

Warning



Always check for wires, fuel tanks and lines, brake lines and other important vehicle functionality items prior to drilling and installing all products.



ALWAYS DISCONNECT BATTERY FROM VEHICLE PRIOR TO PERFORMING ANY WELDING TO FRAME OR BODY.



Too much weight will greatly reduce the stability of your vehicle. Holman makes no representation or warranty as to the amount of weight your vehicle can safely carry. For guidance, we recommend that you consult the vehicle manufacturer. **AT NO TIME SHOULD THE WEIGHT OF THE VEHICLE, RACK, DRIVER, PASSENGERS AND CARGO LOADED ON A HOLMAN RACK EXCEED EITHER THE GROSS VEHICLE WEIGHT RATIO (GVWR) OR THE GROSS AXLE WEIGHT RATIO (GAWR) AS SPECIFIED BY THE VEHICLE MANUFACTURER.**



Do not use your rack with the rear cross bar removed. Removal of rear crossbar will affect structural integrity of the rack.



Secure all payloads properly for safe transportation.

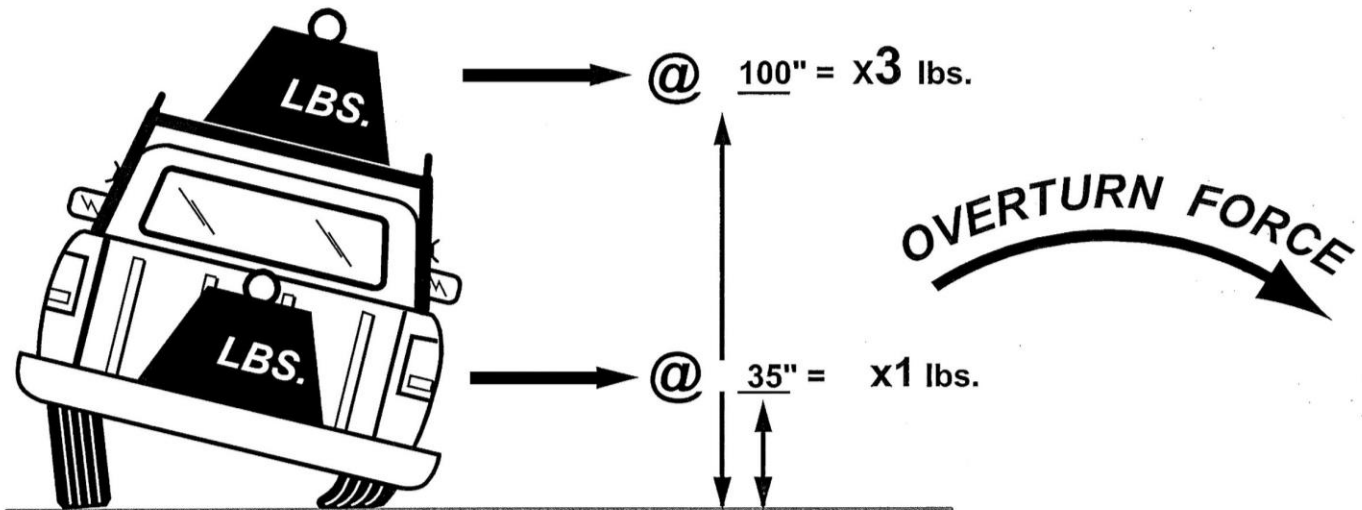


A large area is required to assemble rack. Be sure to keep area clear of trip and fall hazards.

Tools Needed

9/16", 3/4" Box Wrenches	9/16", 1/2", 3/4" Socket Wrench
5/16" Allen Wrench	5/8" Deep Socket Wrench
3/8" Drill Bit	Drill
Center Punch	Hammer
1/2"-13 Tap Wrench	Torque Wrench

DON'T OVERLOAD YOUR VEHICLE!



WEIGHT CARRIED ABOVE THE FLOOR OF THE TRUCK BED (E.G. ON AN OVERHEAD TRUCK RACK) WILL SIGNIFICANTLY INCREASE THE VEHICLE'S TENDENCY TO OVERTURN. ALWAYS KEEP HEAVY LOADS EVENLY DISTRIBUTED AND AS LOW AS POSSIBLE. IT IS IMPORTANT TO NOTE THAT THE HOLMAN RACK LOAD BEARING CAPACITY OF 1700 LBS. MAY BE GREATER THAN YOUR TRUCK'S GAWR OR GVWR CAPACITY, AND IS PROBABLY GREATER THAN THE WEIGHT THAT CAN BE SAFELY CARRIED OVERHEAD. RETIGHTEN ALL BOLTS AFTER FIRST USE, PERIODICALLY CHECK BOLTS FOR TIGHTNESS.

For TECHNICAL SUPPORT Call:

1.800.343.7486

or email: InstallationSupport@Holman.com

Table of Contents

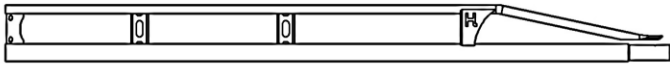
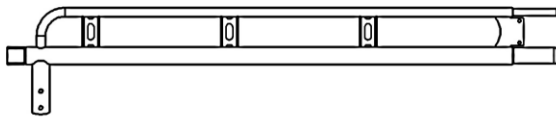
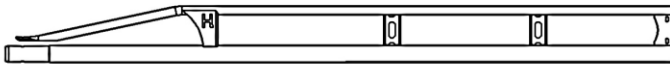
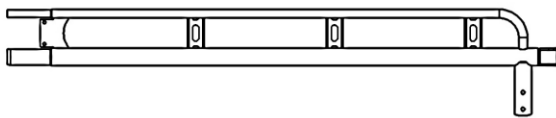
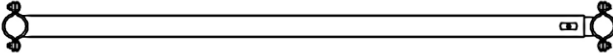
Standard Side Channel Parts List.....	5
Forklift Loadable Side Channel Parts List.....	6
Wind Deflector Hardware.....	6
Parts List.....	7
Hardware Kit.....	8
Sealant Application.....	9
Step 1 – Join Side Channels.....	10
Step 2 – Attach Front Tube.....	10
Step 3 – Attach Wind Deflector.....	11
Step 4 – Attach Front Crossbar.....	11
Step 5 – Attach Rear Legs.....	13
Step 6 – Attach Center Crossbar.....	13
Forklift Loadable Side Channels.....	13
Standard Side Channels.....	13
Step 7 – Attach Rear Take-out Bar.....	14
Forklift Loadable Side Channels ONLY.....	14
Step 8 – Installation Preparation.....	15
Step 9 – Mount Front Crossbar to Headache Rack.....	16
Step 10 – Foot Installation.....	16
Step 11 – Attach Rack to Vehicle.....	17
Step 12 – Install Extra Crossbar (Extended and crew cab kits only).....	17
Step 13 - Adjust Wind Deflector.....	17
Rear Take-out Bar Position Lock.....	18
Finish Installation.....	18



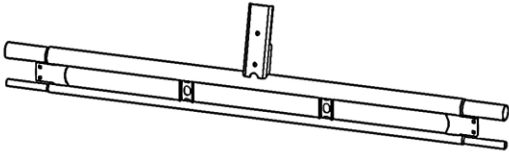
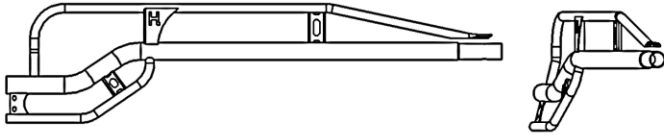
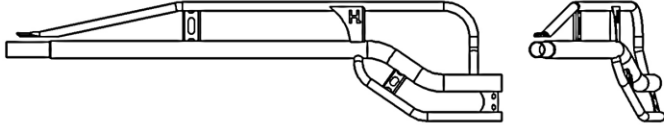
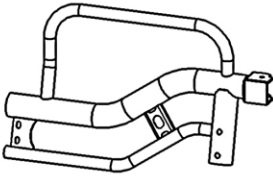
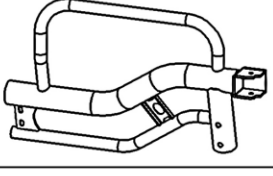
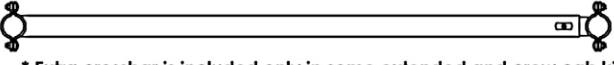
Before You Begin

- Read all instructions carefully, and follow each step in proper sequence, for ease and speed in assembling your rack.
- **PROPER SEALANT APPLICATION IS CRITICAL TO PREVENTING WATER PENETRATION INSIDE THE RACK. Apply a healthy bead of sealant entirely around every swaged joint and every bolt going through tubing. Improper sealing can lead to water penetration and rust on inside surfaces.**



Standard Side Channel Parts List

NO.	ITEM	KIT: PART NUMBER	DESCRIPTION	QTY.
1		12101: 101529 12102: 101564 12103: 101579	SIDE CHANNEL, FRONT PS RH	1
2		12101: 101532 12102: 101569 12103: 101627	SIDE CHANNEL, REAR DS LH	1
3		12101: 101530 12102: 101565 12103: 101580	SIDE CHANNEL, FRONT DS LH	1
4		12101: 101531 12102: 101568 12103: 101626	SIDE CHANNEL, REAR PS RH	1
5	 * Extra crossbar is included in some extended and crew cab kits only.	31110	PRO II EXTRA CROSSBAR	1

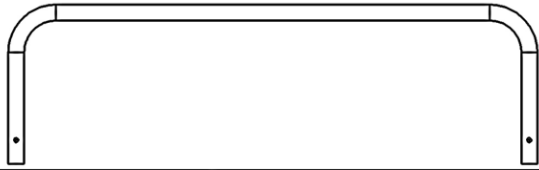
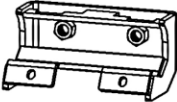

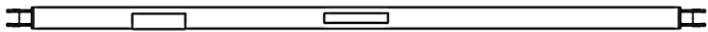
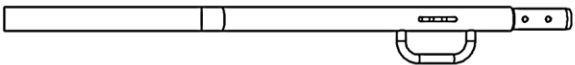
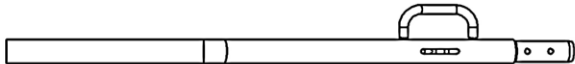
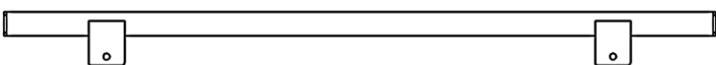
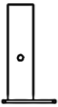
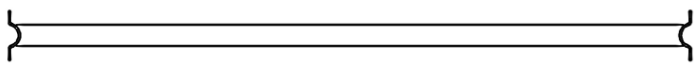




Forklift Loadable Side Channel Parts List

NO.	ITEM	KIT: PART NUMBER	DESCRIPTION	QTY.
1		12200, 12201: 101218 12202, 12203, 12204: 101193 12205, 12206: 101172	EXTENSION SIDE CHANNEL, 52"	2
2		12200, 12203, 12206: 101224 12201, 12204: 101693 12202, 12205: 101144	FRONT SIDE CHANNEL. MULTIPOSITION, RH, PS	1
3		12200, 12203, 12206: 101225 12201, 12204: 101692 12202, 12205: 101149	FRONT SIDE CHANNEL. MULTIPOSITION, LH DS	1
4		101163	REAR LEG CHANNEL, RH PS	1
5		101166	REAR LEG CHANNEL, LH DS	1
6	 * Extra crossbar is included only in some extended and crew cab kits.	31110	PRO II EXTRA CROSSBAR	1


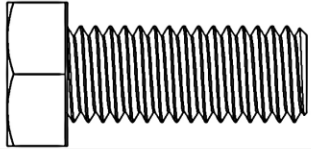
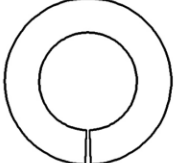
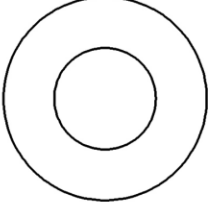

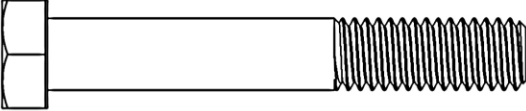
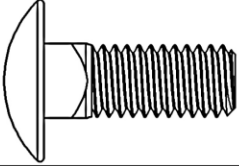
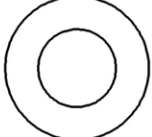

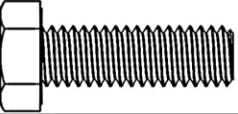
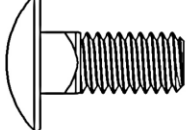
Wind Deflector Hardware

ITEM	HARDWARE TO SCALE	PART NUMBER	DESCRIPTION	QTY.
1		0149489	10-32 X 3/4" PAN HEAD SCREW	3
2		33074	#10 FLAT WASHER	3

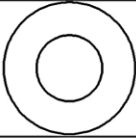
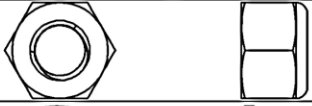

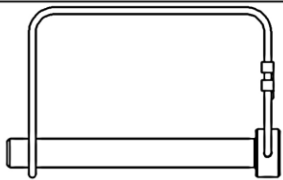
Leg and Bar Kit Parts List

NO.	ITEM	PART NUMBER	DESCRIPTION	QTY.
1		11-00004	FRONT TUBE FS	1
2		101220	CROSSBAR STRAPPING BRACKET	2
3		101200	SIDE CHANNEL CLAMP	4
4		101170	REAR TAKE-OUT BAR, 64.5"	1
5		101600	PLATFORM BODY REAR LEG, PRO RACK, LH DS	1
6		101602	PLATFORM BODY REAR LEG, PRO RACK, RH PS	1
7		101604	PLATFORM BODY FRONT CROSSBAR, PRO RACK	1
8		13-00827	PLATFORM BODY REAR FOOT	2
9		101669	PRO RACK CENTER CROSSBAR ASSEMBLY	1
10		101572	MTG BRKT CLAMP	2
11		101735	CENTER CROSSBAR SHIM	2
12		101415	WIND DEFLECTOR, 52", 2" TUBING, STEEL	1
13		101404	WIND DAMPENER STRAP FASTENER	3
14		18-12005	HARDWARE KIT	1

Hardware Kit

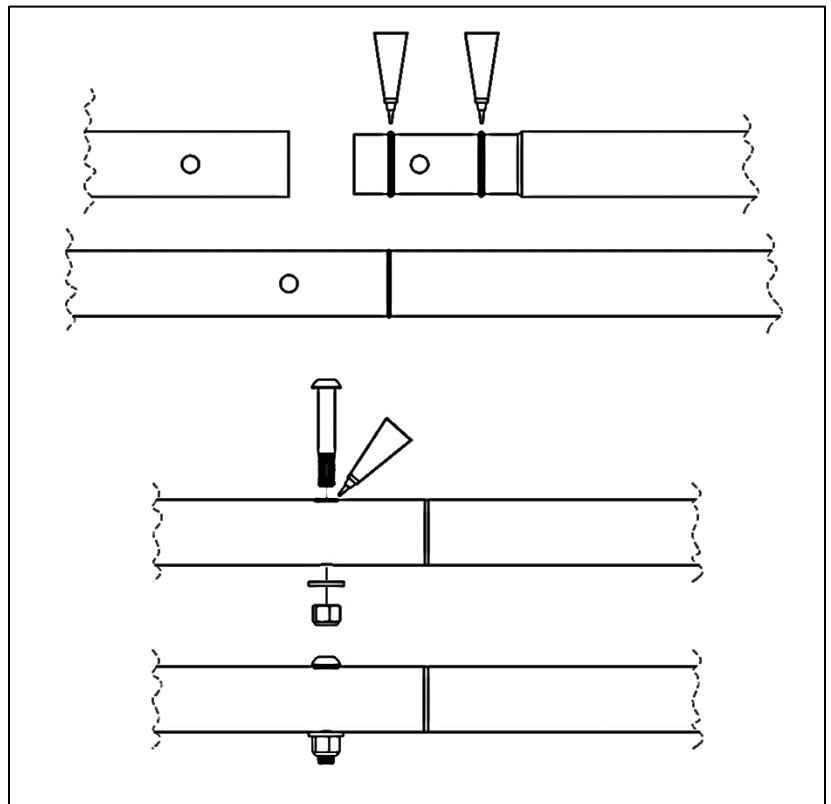
ITEM	HARDWARE TO SCALE	PART NUMBER	DESCRIPTION	QTY.
1		42KD91	1/2"-13 X 3" BUTTON HEAD CAP SCREW	4
2		11241379	1/2-13 X 1-1/4" HEX HEAD BOLT	10
3		1133626	1/2" LOCK WASHER	10
4		11541086	1/2" WASHER	22
5		37695	1/2"-13 THIN LOCKING JAM NUT	10
6		11241202	3/8-16 X 2-1/2" HEX HEAD BOLT	5
7		0155062	3/8-16 X 1" CARRIAGE BOLT	4
8		0159723	3/8" WASHER	14
9		37691	3/8"-16 JAM NYLOCK NUT	9
10		11241179	5/16-18 X 1" HEX HEAD BOLT	4
11		21810	5/16"-18 X 3/4" CARRIAGE BOLT	8

Hardware Kit (Continued)

ITEM	HARDWARE TO SCALE	PART NUMBER	DESCRIPTION	QTY.
12		33080	5/16" FLAT WASHER	12
13		0169777	5/16"-18 NYLOC	8
14		11104019	5/16-18 FLANGED NYLOCK NUT	4
15	 NOT TO SCALE	98416A575	3/8" X 2-7/8" WIRE LOCK CLEVIS PIN	1
16		-	SELF LEVELING ADHESIVE SEALANT - 100 ML	1

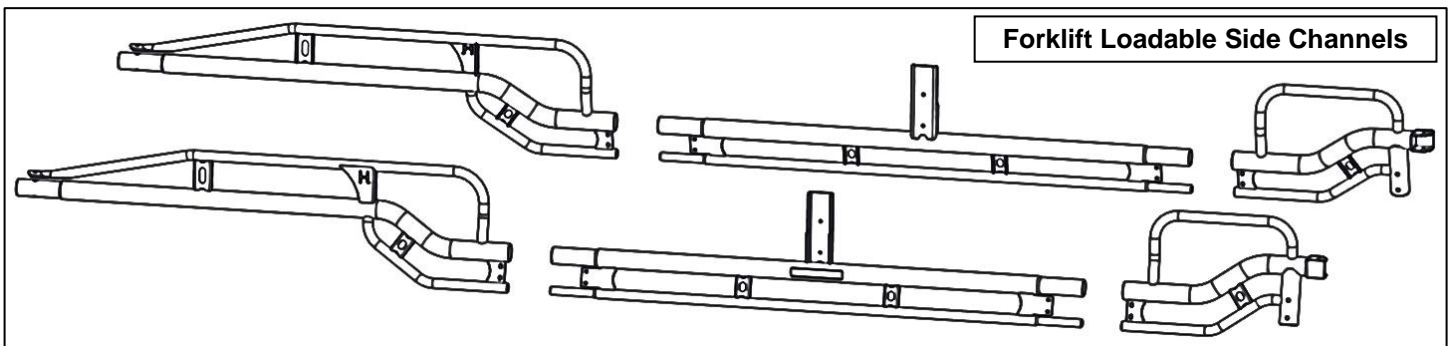
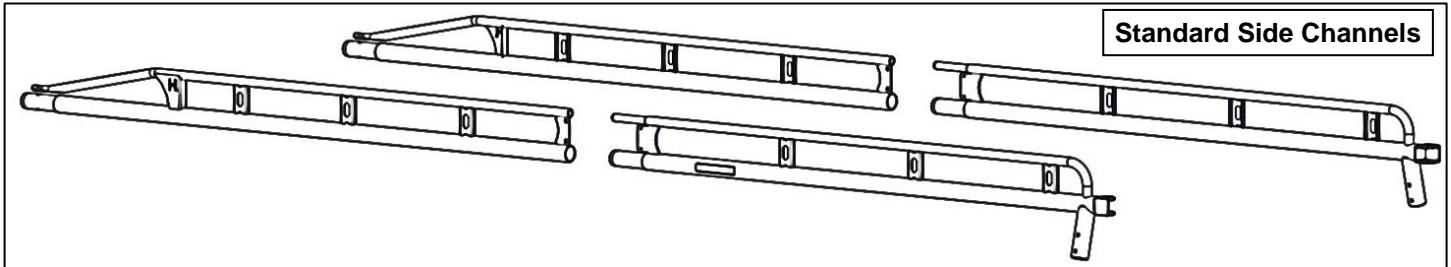
Sealant Application

- Proper sealant application is critical to preventing water penetration inside the rack.
- Apply a healthy bead of sealant around every swaged joint as shown. Improper sealing can lead to water penetration and rust on inside surfaces.
- Wipe any excess sealant off immediately with a plastic scraper or paper towel. Any smeared sealant can be rubbed off as soon as sealant dries.
- Maintain this seal throughout the life of your rack.

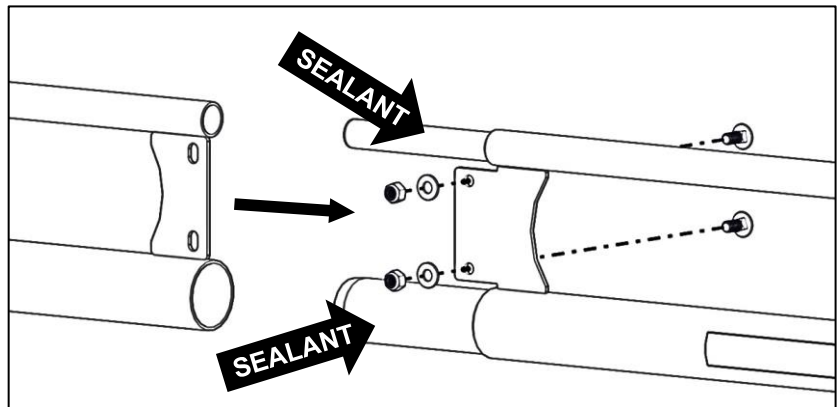


Step 1 – Join Side Channels

- Lay flattened box on ground and use for scratch protection while building rack.
- **Be sure you have correct front and rear side channels paired.**
- Apply sealant around the swaged ends on both top and bottom swage joints.

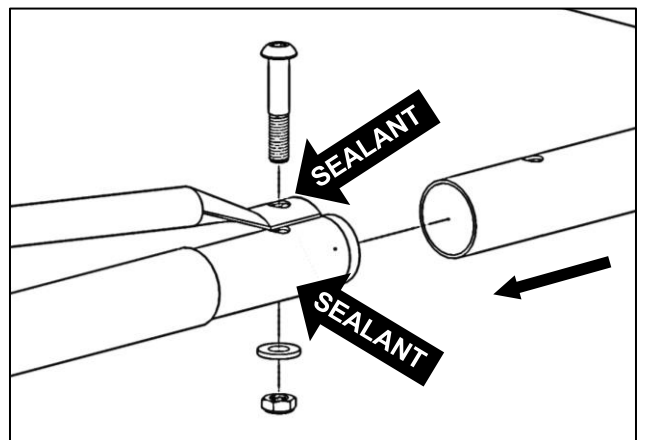


- Insert rear side-channel swaged joints into front side-channel tubes until bolt holes in splice plates align.
- Using 5/16" x 3/4" carriage bolts, 5/16" washers, and 5/16" lock nuts, securely fasten channels together.
- Remove excess sealant.
- Repeat process for opposite side.



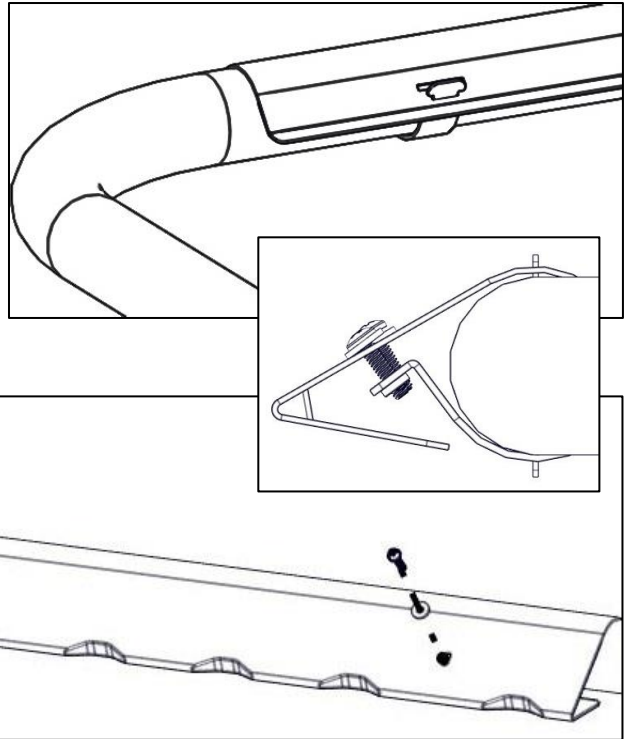
Step 2 – Attach Front Tube

- Apply sealant to front side-channel swaged joint.
- Insert front side-channel swaged joint into front tube until bolt holes in tube and side-channel align.
- Using 1/2" x 3" partially threaded button head screw, 1/2" washer, and 1/2" lock nut, LOOSELY fasten front tube to side channel.
- Remove excess sealant.
- Repeat process on opposite side.



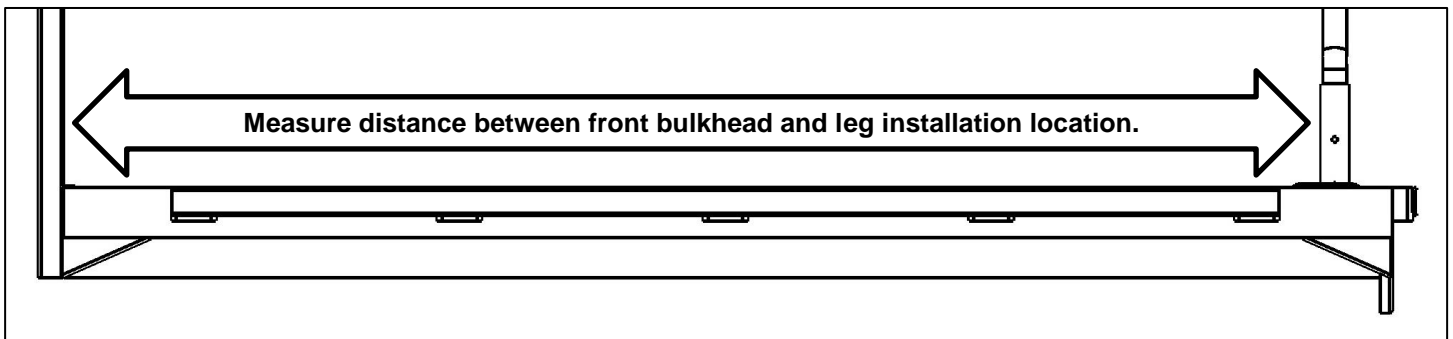
Step 3 – Attach Wind Deflector

- Position wind deflector on front U-tube.
- Insert wind deflector straps into slots on rear of wind deflector.
- Using #10 x 3/4" screws and #10 washers, bolt through top of wind deflector into press-in nuts on wind deflector straps.
- Snug tighten but allow for movement.

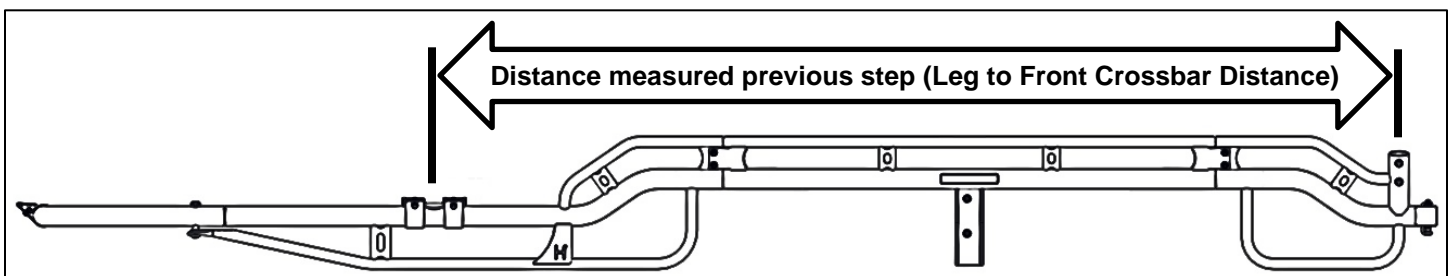


Step 4 – Attach Front Crossbar

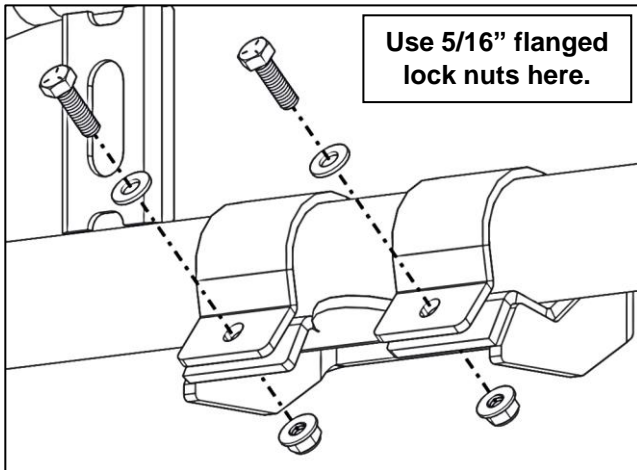
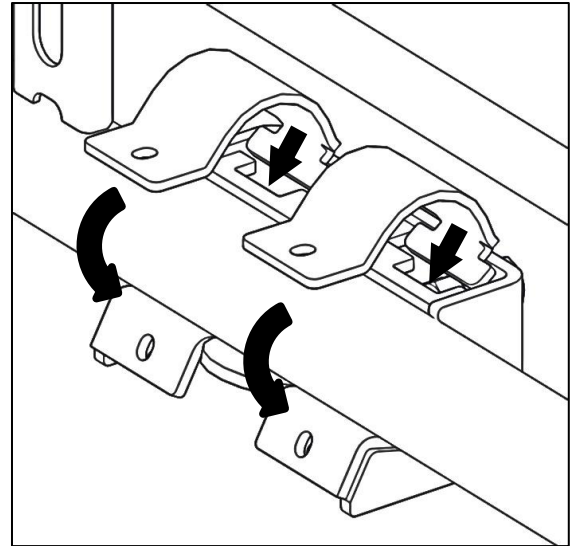
- Flip rack upside down.
- Determine location on rear of platform bed to install rear feet.
- Measure distance between rear edge of headache rack crossbar (bulkhead) and center of leg cup on rear foot.



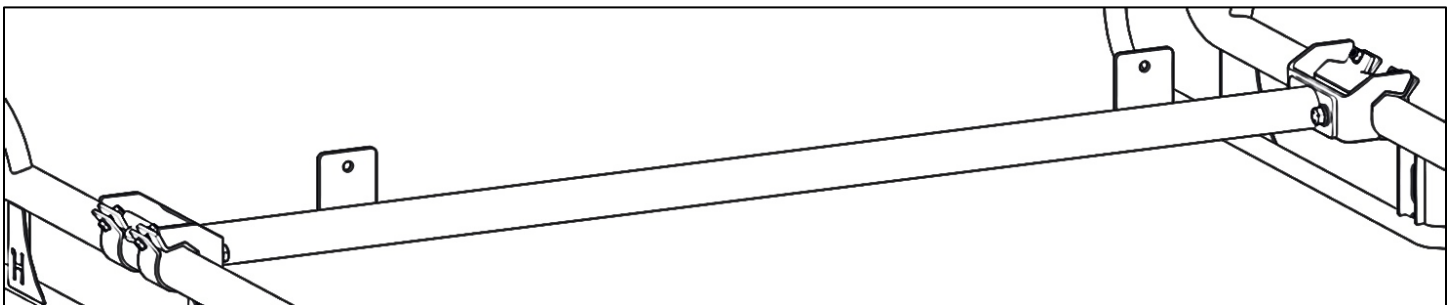
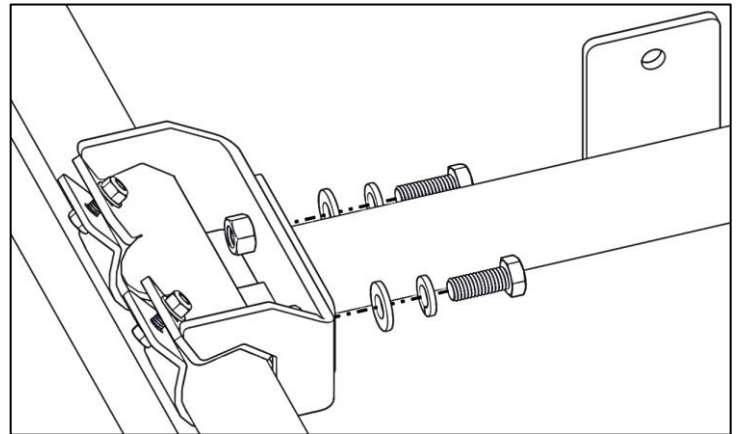
- Position crossbar strapping bracket on lower side channel 2" tubing, at approximate distance measured from rear leg cup.



- Hook two of the side channel clamps into the slots on the head of the leg assembly.
- Using a 5/16" x 1" hex bolt, 5/16" flat washer, and 5/16" flanged lock nut, LOOSELY fasten each clamp to the head of the leg.
- Repeat for second crossbar strapping bracket on opposite side channel.



- Bolt two 1/2" x 1-1/4" hex bolts, four 1/2" lock washers, and two 1/2" flat washers through the front crossbar into the crossbar strapping bracket. **Be sure flanges on front crossbar are towards the bottom of the rack.**
- Snug tighten.
- Repeat for opposite side.

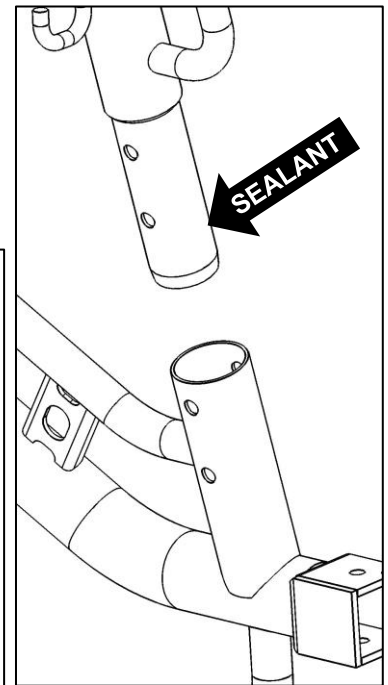
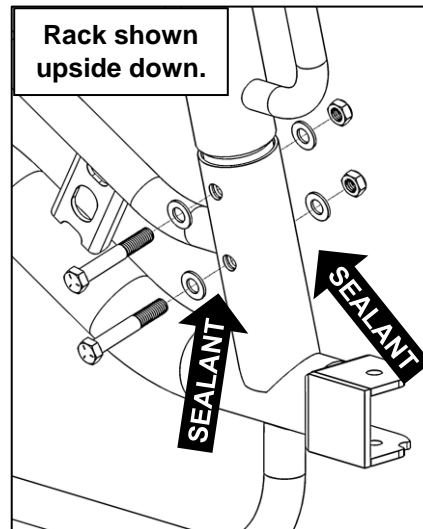


Step 5 – Attach Rear Legs

- Apply sealant to swaged joint on leg and around holes in leg cup.
- Orient leg correctly with side channel, with rope hook away from center of rack, and then insert leg into leg cup until holes in leg and leg cup align.
- Using, one 3/8" x 2-1/2" hex head bolt, two 3/8" washers, and one 3/8" lock nut, LIGHTLY fasten leg to leg cup.

Be sure to apply sealant around bolt between each washer and leg cup as you assemble.

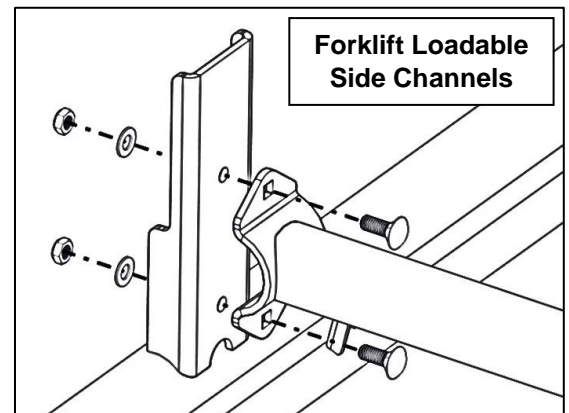
- Remove excess sealant.
- Repeat process on opposite side.
- TIGHTEN.



Step 6 – Attach Center Crossbar

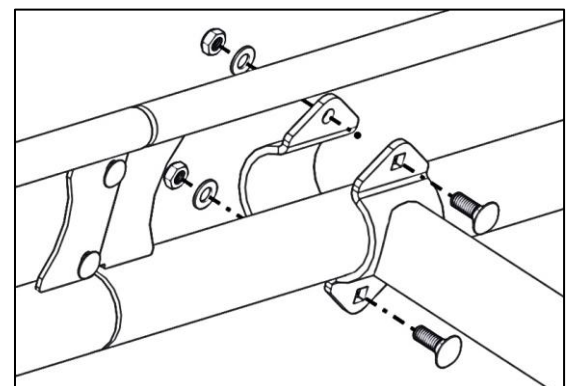
Forklift Loadable Side Channels

- Using two 3/8" x 1" carriage bolts, 3/8" flat washers, and 3/8" thin lock nuts, LOOSELY attach the center crossbar to the crossbar support.
- Repeat on opposite side of rack.
- Snug tighten.



Standard Side Channels

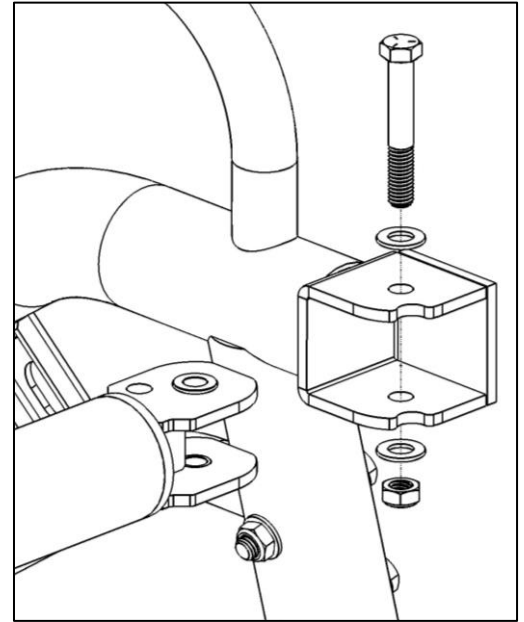
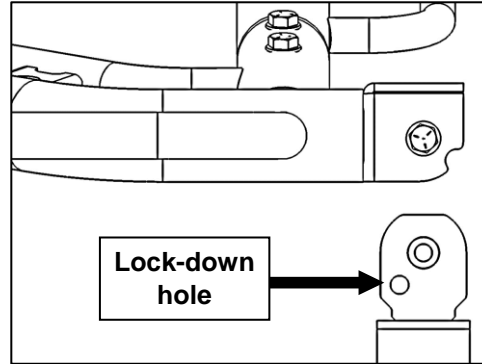
- Position the center crossbar, mid-way between the front and rear crossbars, against the lower 2" side channel tubes.
- Insert two 3/8" x 1" carriage bolts, 3/8" flat washers, and 3/8" thin lock nuts through the square holes on the center crossbar.
- Using two 3/8" flat washers and 3/8" lock nuts, LOOSELY fasten the MTG bracket clamp around the lower tube on each side.
- Repeat on opposite side of rack.
- Snug tighten.



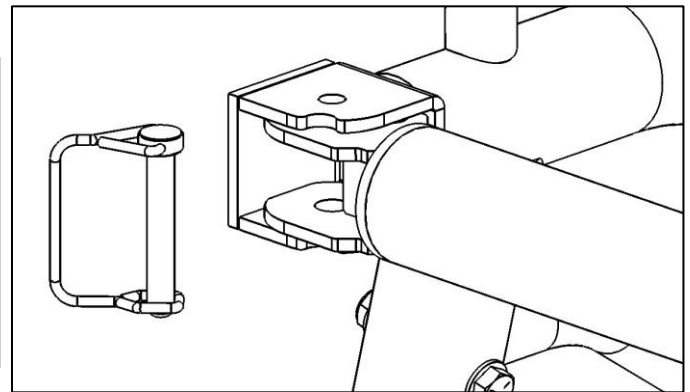
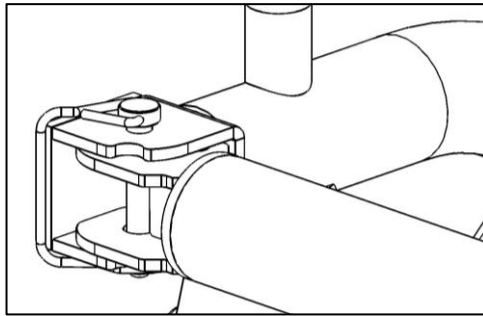
Step 7 – Attach Rear Take-out Bar

NOTE: The rear take-out bar can be installed to open in either direction. One end is bolted and the other side is secured with a removable pin.

- On the side to be bolted, slide end into rear side-channel receiver. **Be sure the second lock-down hole in the end is towards the front of the vehicle.**
- Using 3/8" x 2-1/2" hex head, two 3/8" washers, and a 3/8" lock nut, bolt the rear take-out bar to the receiver.



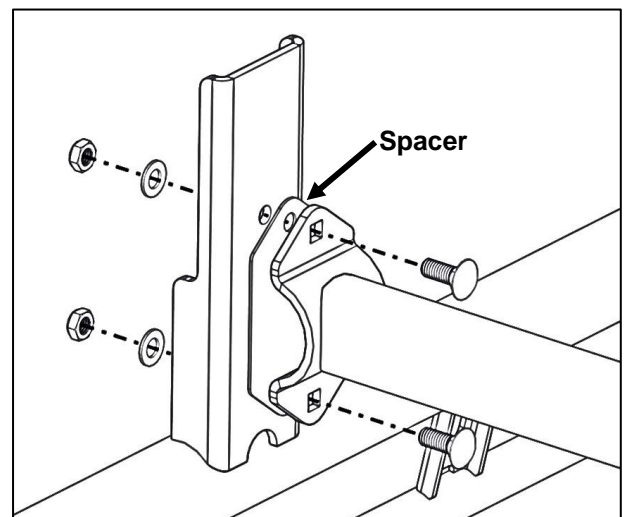
- On opposite side, insert 3/8" lock pin.



Forklift Loadable Side Channels ONLY

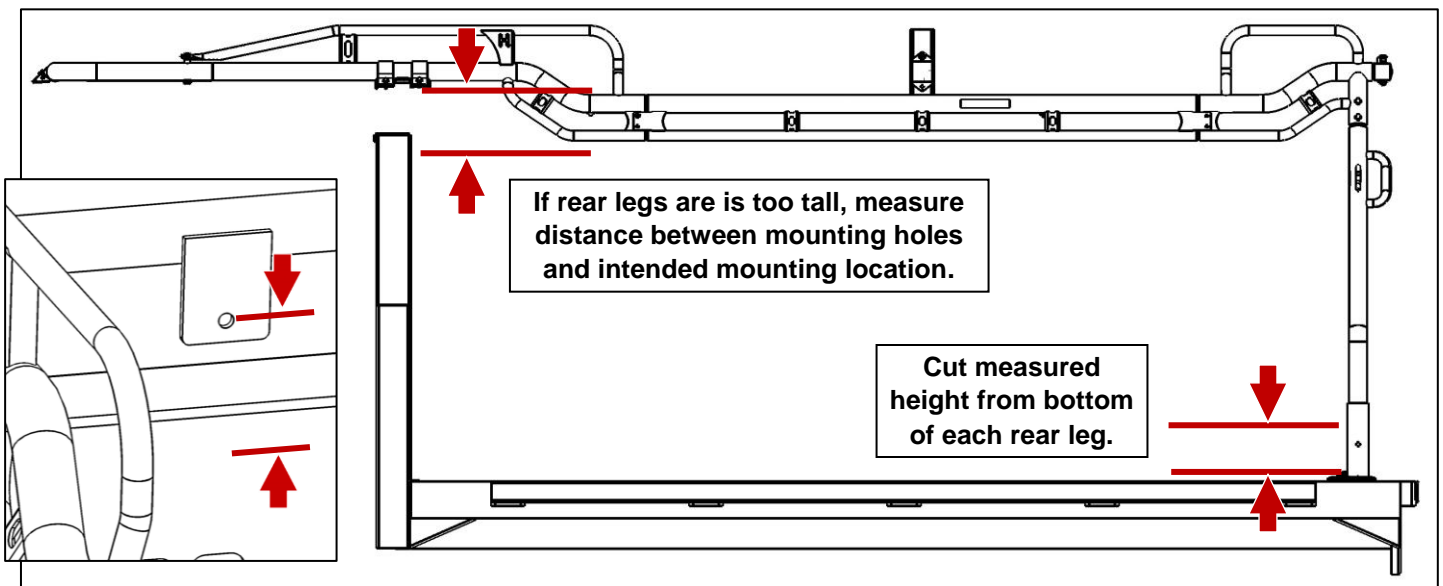
IF YOU EXPERIENCE DIFFICULTY PINNING REAR TAKE-OUT BAR INTO SIDE CHANNEL RECEIVER, it may be necessary to install one or two spacers between the center crossbar and the crossbar support.

- ON ONE SIDE of center crossbar, remove bolts fastening center crossbar to the side channel supports.
- Insert a spacer between the center crossbar and the crossbar support.
- Tighten hardware.
- Check pin alignment. If second spacer is required, install spacer on opposite side of crossbar than side previously spacer was installed.

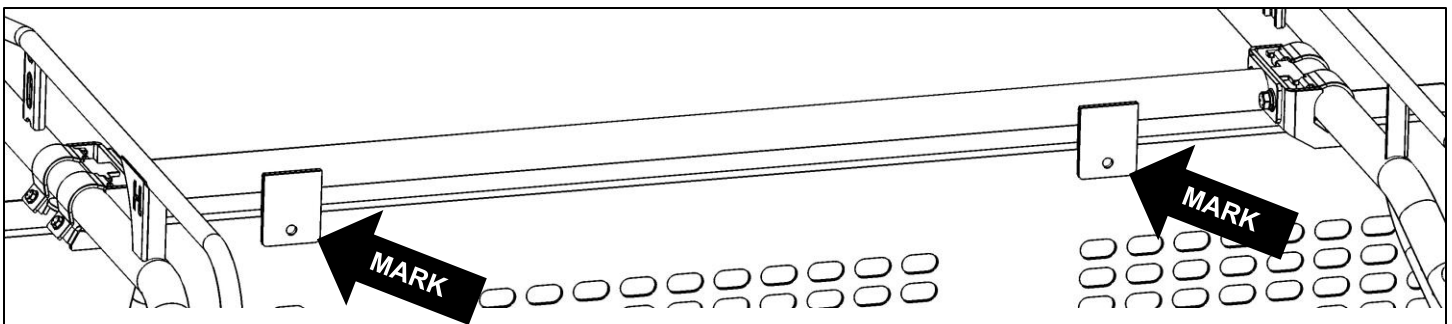


Step 8 – Installation Preparation

- Set the rack on the flatbed with the legs inserted into the feet.
- Level the side channels.
- Place the front crossbar against the forward mounting surface or headache rack.
- If a gap exists between the front crossbar mounting holes and the intended mounting location:
 - Measure the height difference between the front crossbar mounting holes and the intended mounting location. **Measure twice, just to be sure!**
 - Cut the amount measured from the bottom of the rear legs. **Be sure to cut the legs the same length and be sure the cut is square to the leg.**
 - Spray black paint over cut bottom of leg (spray paint not included).
 - Set the rack back on the flatbed with the legs inserted into the feet.



- Mark the location of the front crossbar holes onto the mounting surface.

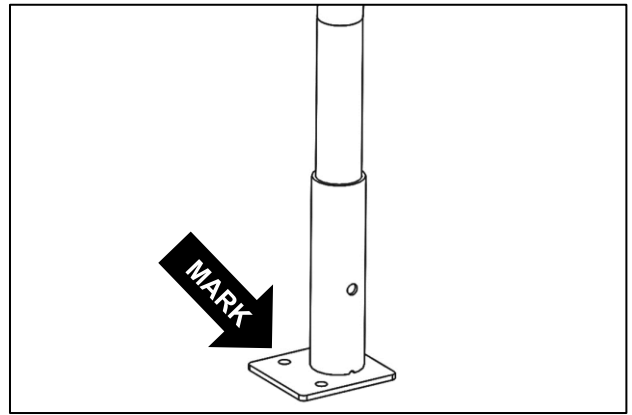


- Rotate the rear foot so the holes in the mount plate are optimally sitting on the steel channel frame of the platform body.
- Mark the location of the foot mounting holes.



Be sure the rear takeout crossbar is securely pinned and fastened before marking. If the legs are not secure and the holes are not properly marked, you may have difficulty pinning the rear take-out bar.

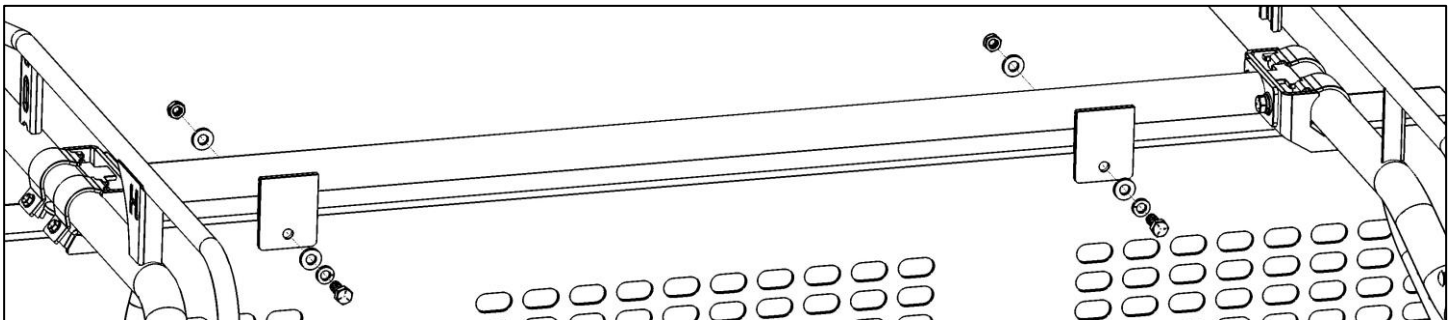
- Set the rack aside.



Step 9 – Mount Front Crossbar to Headache Rack

- Drill a 7/16" hole through at each of locations marked on the forward mounting surface or headache rack.
- Tap each hole to a 1/2"-13 thread.
- Using 1/2" x 1-1/4" bolts, 1/2" lock washers, and 1/2" flat washers, secure the front crossbar to the bulkhead.

NOTE: If mounting to a flat surface, additional 1/2" washers and 1/2" lock nuts are provided.



Step 10 – Foot Installation

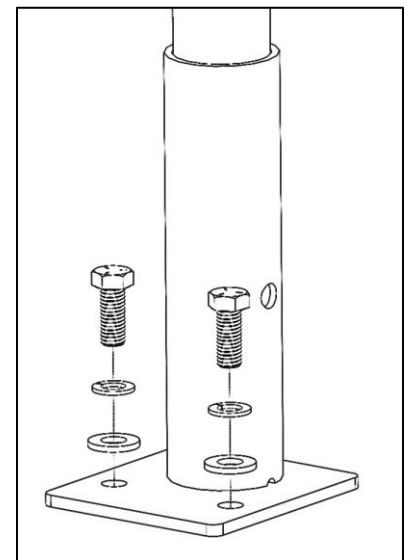


If mounting feet using hardware, it is recommended the feet are secured to the truck bed using all four foot mounting holes.

- **Attach the rear foot to the platform body frame by one of the two following methods.**
 - Weld the foot to the platform body frame.

OR

- Drill a 7/16" hole through the flatbed frame at each of the four holes in the feet.
- Tap each hole to a 1/2"-13 thread.
- Using 1/2" x 1-1/4" bolts, 1/2" lock washers, and 1/2" flat washers, bolt the feet to the frame.



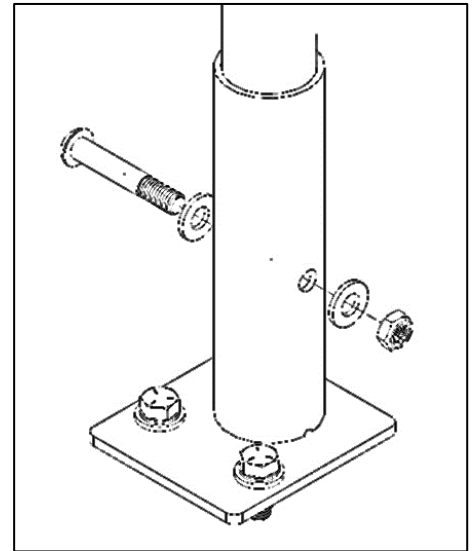
Step 11 – Attach Rack to Vehicle

- **Secure the rear legs to the mounting cups by one of the two following methods.**

- Weld the leg to the foot.

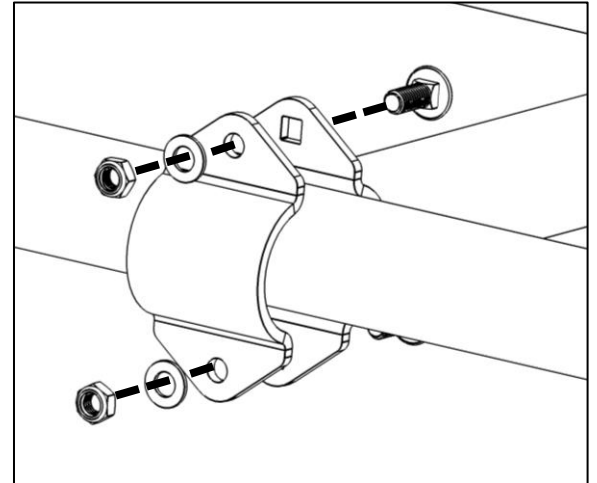
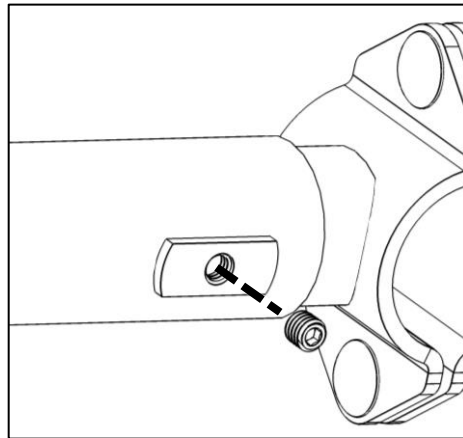
OR

- Drill a 1/2" hole all the way through the leg corresponding to the horizontal hole in foot.
- Spray paint the drilled holes with gloss black paint.
- Using 1/2" x 3" bolts, 1/2" lock washers, and 1/2" flat washers, bolt the leg to the foot.



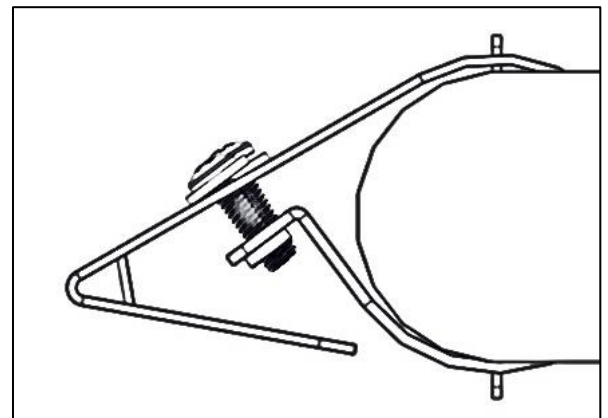
Step 12 – Install Extra Crossbar (Extended and crew cab kits only)

- Using 3/8" x 1" carriage bolts, 3/8" washers, and 3/8" thin lock nuts, bolt each end of extra crossbar to bottom tube of side channels.
- Snug tighten but allow for movement.
- Loosely install 3/8" set screw into telescoping crossbars.



Step 13 - Adjust Wind Deflector

The best angle for the wind deflector will depend on the vehicle the rack is installed on. Small angle adjustments can make a big difference. The image shown is approximately the best angle to start with.



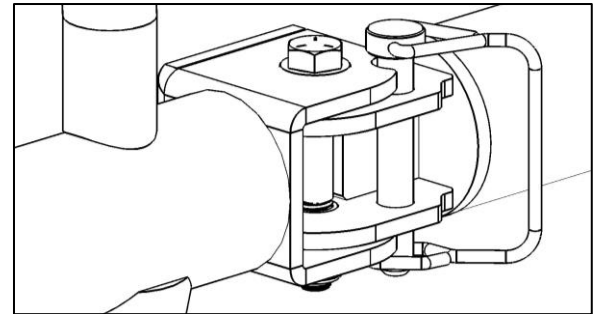
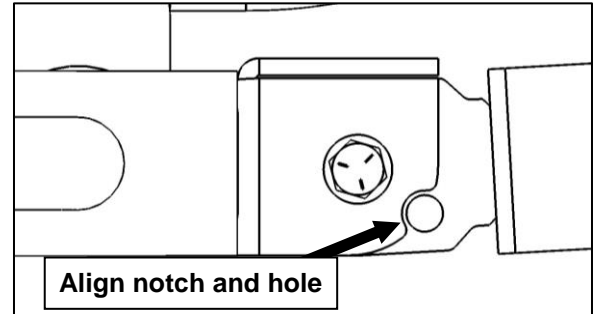
Rear Take-out Bar Position Lock

The rear take-out bar is able to be locked in an open position.



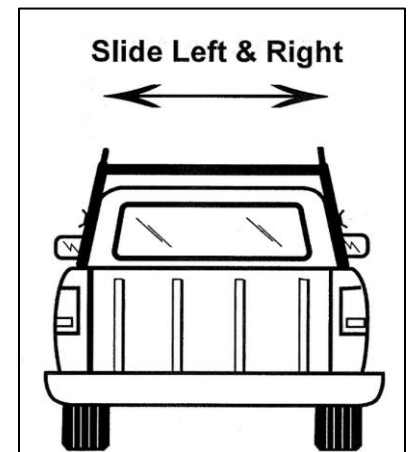
DO NOT DRIVE VEHICLE WITH REAR TAKE-OUT BAR IN OPEN POSITION!

- Remove the pin from the pin from the rear take-out bar.
- Open the bar fully.
- Align the hole and notch in take-out bar receiver.
- Insert the pin in the lock-down hole and lock the pin in position.



Finish Installation

- Tighten all hardware beginning in the front and top, working your way back and down.
- Verify rear crossbar lock-pin pulls in and out easily.
- If necessary, loosen center crossbar hardware and rear leg bolts, and then slide rear crossbar hard left then right about 10 times to get lock-pin to seat properly.



GO BACK AND TIGHTEN ALL HARDWARE.

If cordless impact wrench was used to assemble, tighten all rack hardware using wrenches and sockets.

INSTALLATION AND ASSEMBLY ARE COMPLETE.