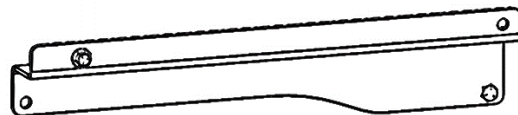


# Holman

---

## Instruction Guide 40114T

---



---

Holman  
Rancho Cordova, CA 95742  
800-343-7486  
[InstallationSupport@Holman.com](mailto:InstallationSupport@Holman.com)

---

**PLEASE READ ALL INSTRUCTIONS AND WARNINGS PRIOR TO ASSEMBLING, INSTALLING, AND USING THIS PRODUCT.**

## Warning



**Always check for wires, fuel tanks and lines, brake lines and other important vehicle functionality items prior to drilling and installing all products.**



**DO NOT EXCEED MANUFACTURERS WEIGHT CAPACITY FOR ROOF.**

## Table of Contents

Tools Needed .....	1
Before You Begin .....	1
Parts List .....	2
Hardware .....	2
Step 1A – Assemble Mounts for Transit .....	3
Step 1B – Assemble Mounts for ProMaster/ Sprinter .....	3
Step 2 – Prepare Installation Location .....	4
Step 3A – Mark Mount Holes Transit .....	4
Step 3B – Mark Mount Holes ProMaster/Sprinter .....	4
Step 4 – Install Plus Nuts.....	5
Step 5 – Install Tray Organizer.....	5

## Tools Needed

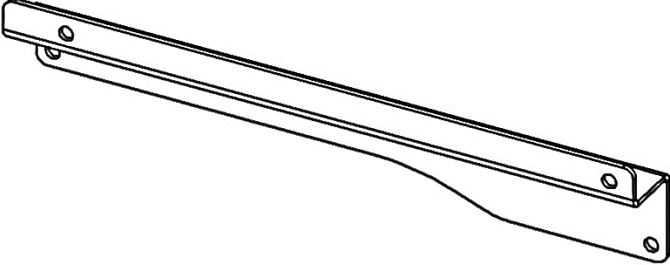

7/16" Socket and Wrench	25/64" Drill Bit
3/8" Socket and Socket Wrench	Drill
9/16" Box Wrench	Drill Bit Stop Collar
	Plus Nut Installation Tool (P9902)*

*\* Sold Separately.*

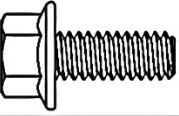
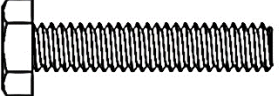
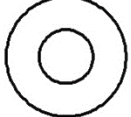


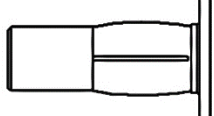
## Before You Begin

- Read all instructions prior to assembling or installing any Holman product.
- **Always locate your installation locations prior to performing any work.**
- **ENSURE SAFETY WHILE INSTALLING OR DRILLING INTO VEHICLE.**
- **Plus Nut Installation Tool Kit (P9902) is not included and must be purchased separately.**

## Parts List

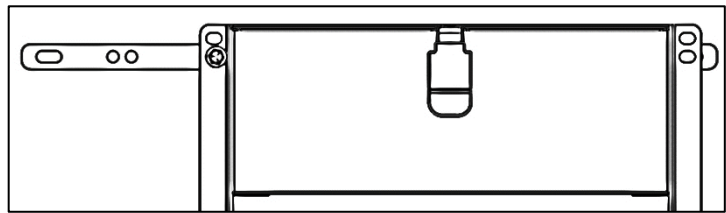
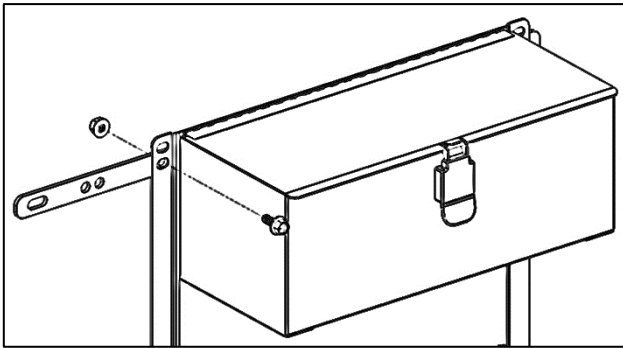
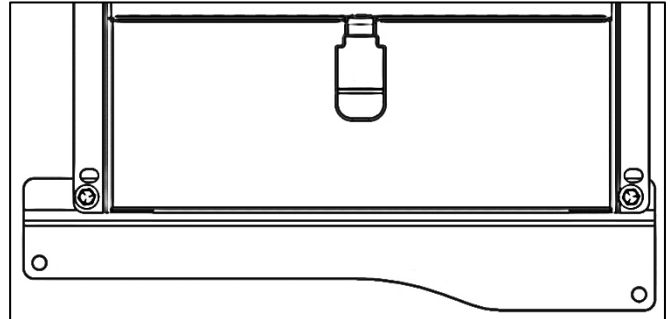
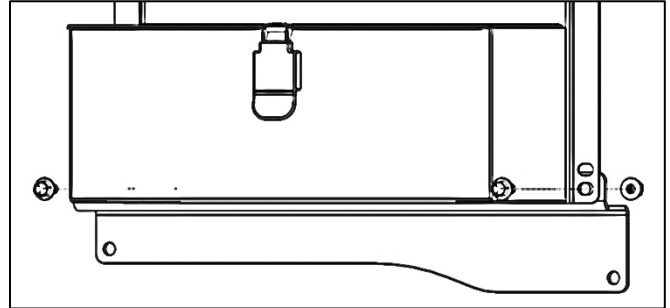
NO.	ITEM	PART NUMBER	DESCRIPTION	QTY.
1		101272	TRAY ORGANIZER LOWER MOUNT	1
2		101274	TRAY ORGANIZER SIDE MOUNT	2
3		18-40114T	HARDWARE KIT	1

## Hardware

ITEM	HARDWARE TO SCALE	PART NUMBER	DESCRIPTION	QTY.
1		11126953	1/4"-20 X 5/8" FLANGED HEX HEAD	4
2		13800	1/4"-20 x 1-1/4" HEX HEAD BOLT	4
3		33078	1/4" FLAT WASHER	4
4		33618	1/4" LOCK WASHER	4
5		0167030	1/4"-20 FLANGED LOCK NUT	4
6		920313726	1/4"-20 Plus Nut	4

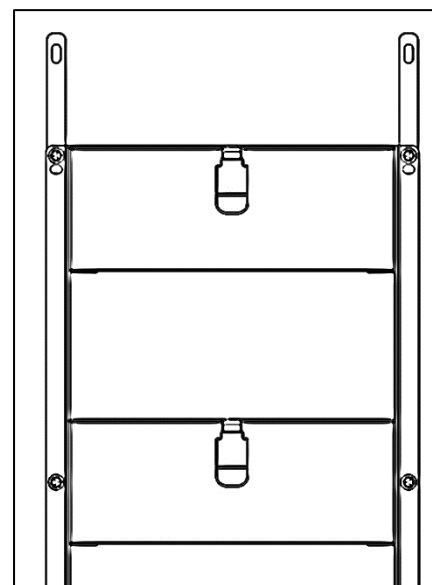
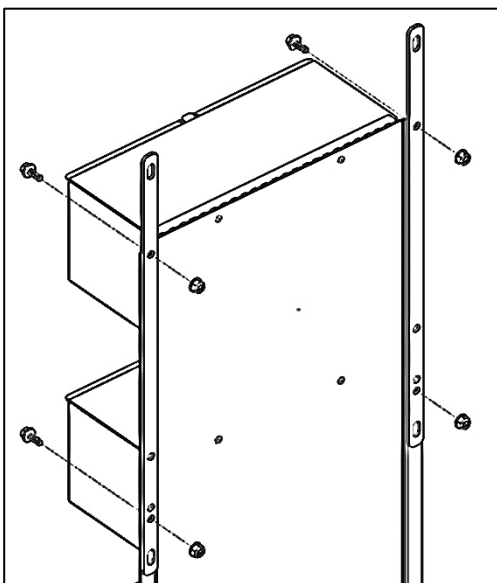
## **Step 1A – Assemble Mounts for Transit**

- Using two 1/4" x 5/8" flanged hex head screws and two 1/4" flanged lock nuts, install tray organizer lower mount to lowest two holes on the tray organizer.
- Using one 1/4" x 5/8" flanged hex head screw and one 1/4" flanged lock nut, loosely install tray organizer side mount to lower mounting hole on top left of tray organizer.
- Do not install hardware in top right hole until Step 4.
- Continue to Step 2.



## **Step 1B – Assemble Mounts for ProMaster/ Sprinter**

- Using four 1/4" x 5/8" flanged hex head screws and four 1/4" flanged lock nuts, install two tray organizer lower mounts one to each side of the tray organizer as shown.
- Continue to Step 2.

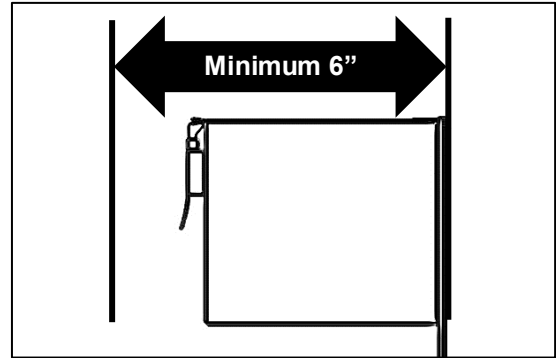


## **Step 2 – Prepare Installation Location**

- Determine proper installation location.
- Verify clearance around installation, checking for interference with other accessories.

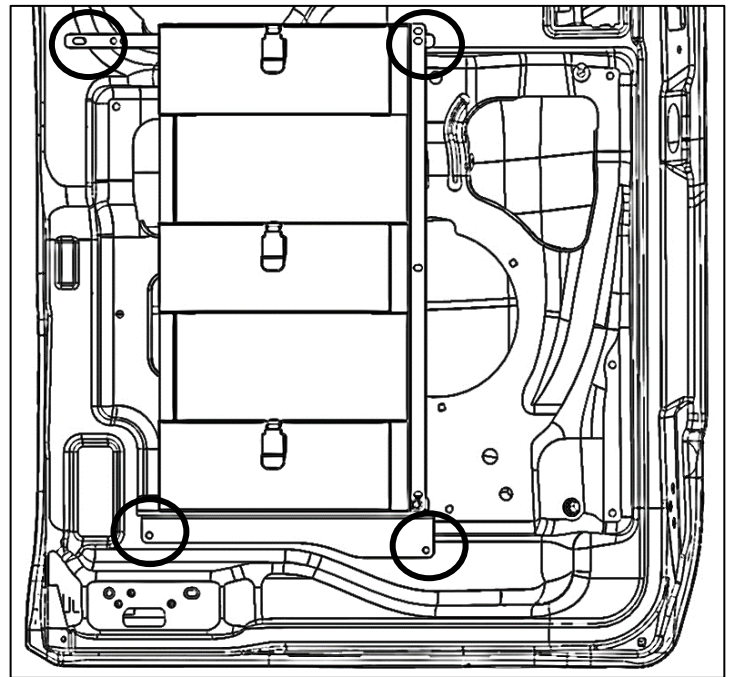
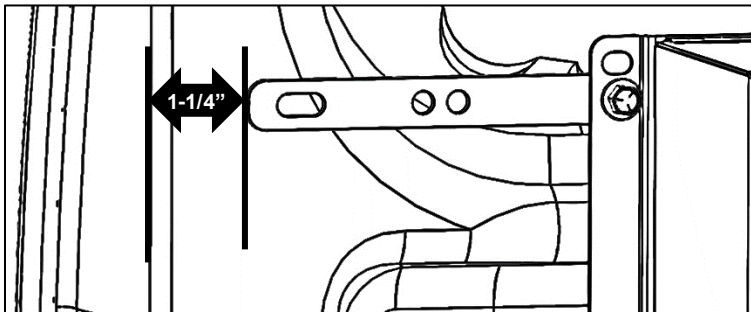
**Note: Minimum 6” clearance is required from mount surface to front of tray organizer.**

**Note: On Transit and Sprinter tray organizer can only be installed on driver’s side rear door.**



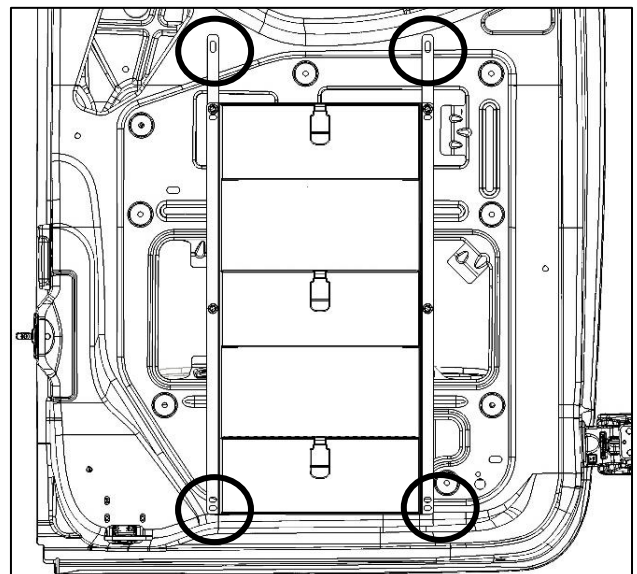
## **Step 3A – Mark Mount Holes Transit**

- Locate assembly with top left mount bracket 1-1/4” away from door edge to avoid internal door support.
- Mark location of four holes onto installation surface.
- Continue to Step 4.



## **Step 3B – Mark Mount Holes ProMaster/Sprinter**

- Locate assembly in desired location from Step 2.
- Mark location of four holes onto installation surface.
- Continue to Step 4.

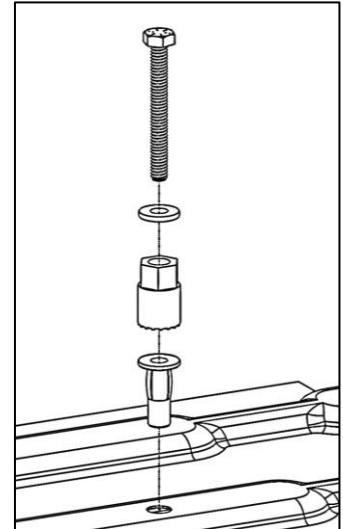


## Step 4 – Install Plus Nuts

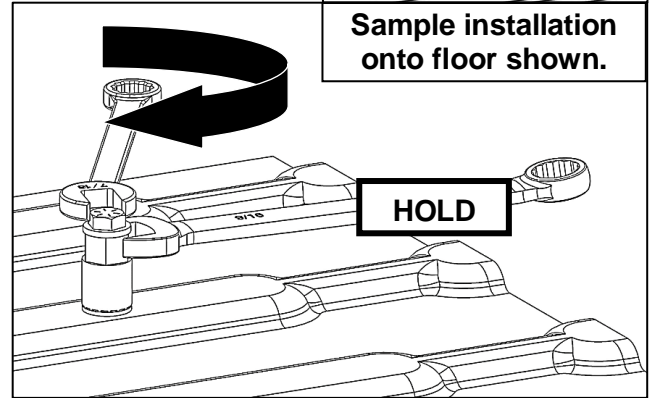


**DO NOT drill beyond depth of floor or upper installation surface. Always check for wires, fuel tanks and lines, brake lines and other important vehicle functionality items prior to drilling and installing all products.**

- At each marked location, drill hole using 25/64" drill bit and appropriate sized drill-bit stop collar. If 25/64" drill bit is not available, a 3/8" drill bit can be used, although it may be necessary to tap in the plus nuts.
- Insert 1/4" x 2-1/4" hex head bolt through 1/4" flat washer and plus nut installation tool, and then screw bolt into plus nut. Knurled end of plus nut tool must be directed away from bolt head and contacting plus nut.
- Insert plus nut into hole with plus nut tool attached.
- Using the 9/16" box wrench, hold the plus nut tool stationary and then tighten hex head bolt until plus nut is tightly gripping and does not spin when hex bolt is loosened.
- DO NOT overtighten plus nut.
- Using the 9/16" box wrench, hold the plus nut tool stationary to remove the 1/4" hex head bolt.

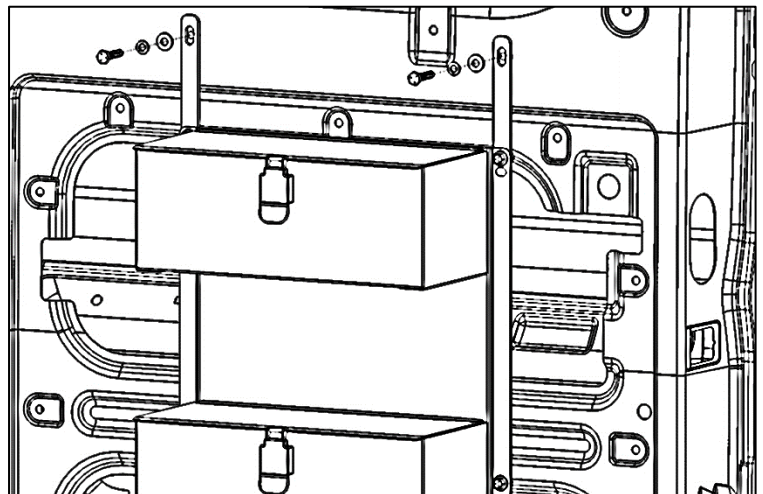


**Sample installation onto floor shown.**



## Step 5 – Install Tray Organizer

- Using 1-1/4" hex head bolts, 1/4" lock washers, and 1/4" flat washers, bolt tray organizer to previously installed plus nuts.
- TIGHTEN all hardware.



**GO BACK AND ENSURE ALL HARDWARE IS TIGHTENED.**

**INSTALLATION IS COMPLETE.**